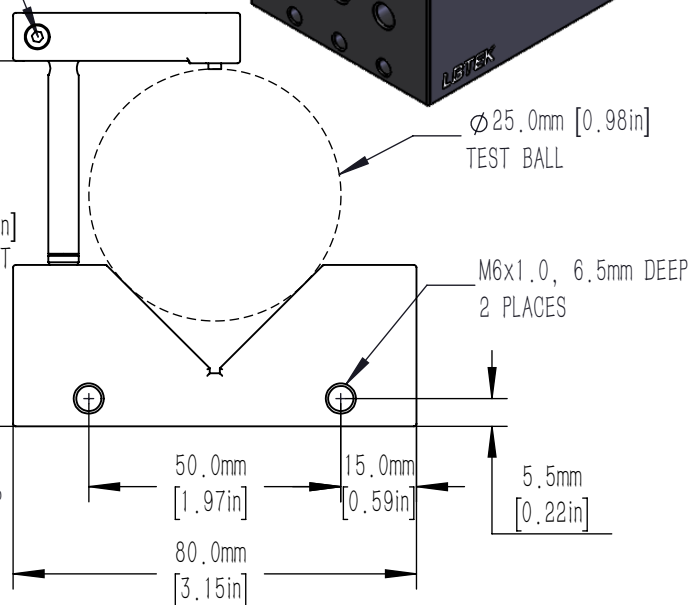
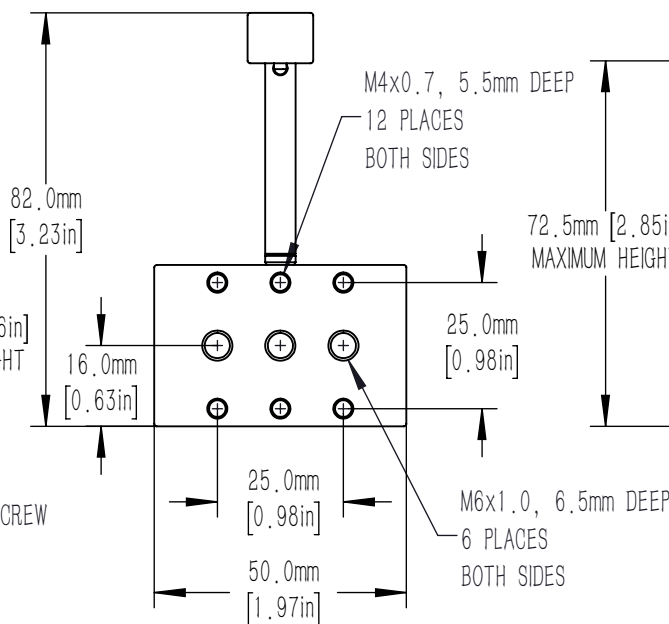
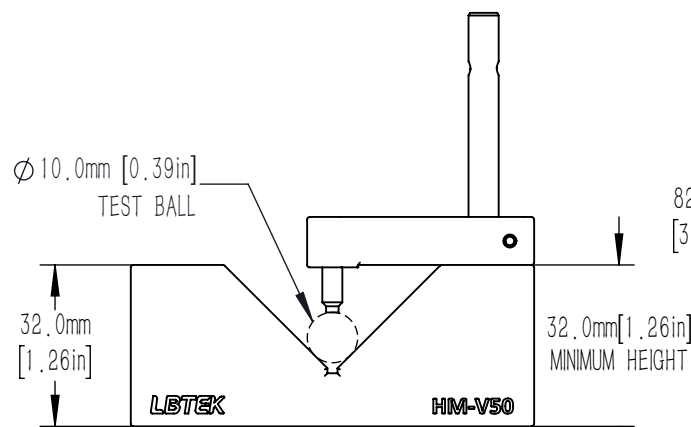
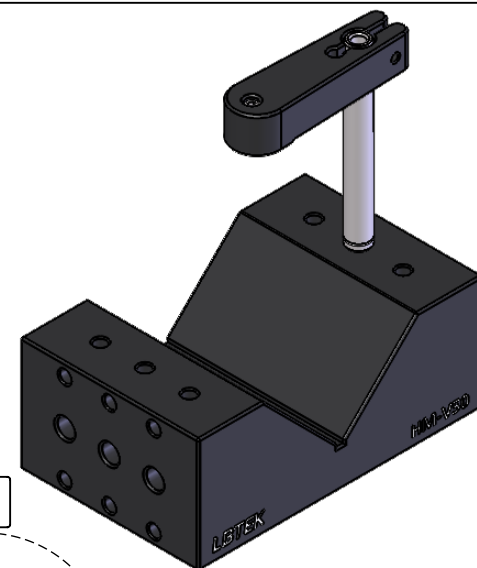
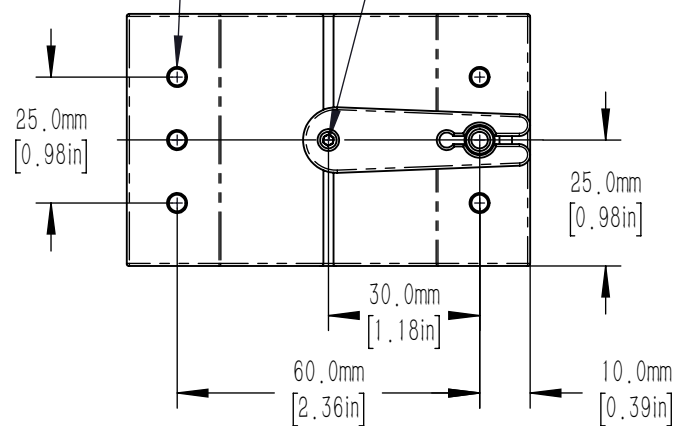


M2.5 x 0.45 LOCKING SCREW
FOR ADJUSTING CA-2
2.0mm [5/64in] HEX



M4 x 0.7 MOUNTING HOLE
FOR USE WITH CA-2
6 PLACES

M4x0.7 NYLON TIP SETSCREW
FOR SECURING OPTIC
2.0mm [5/64in] HEX



DRAWING PROJECTION							
	NAME	DATE	HM-V50				
DRAWN	ZYANG	OCT./16th/19	V-CLAMP				
APPROVAL	ERIC	OCT./16th/19	MATERIAL	WEIGHT	SCALE	REV	
FOR INFORMATION ONLY NOT FOR MANUFACTURING PURPOSES			N/A	0.564 Kg	1:1.5	B	