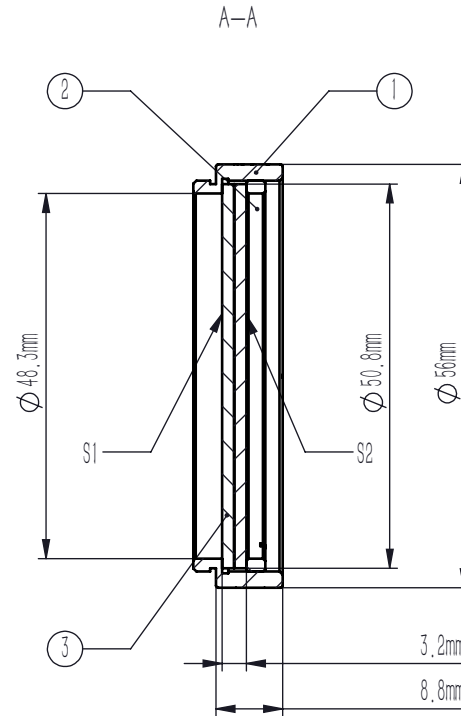
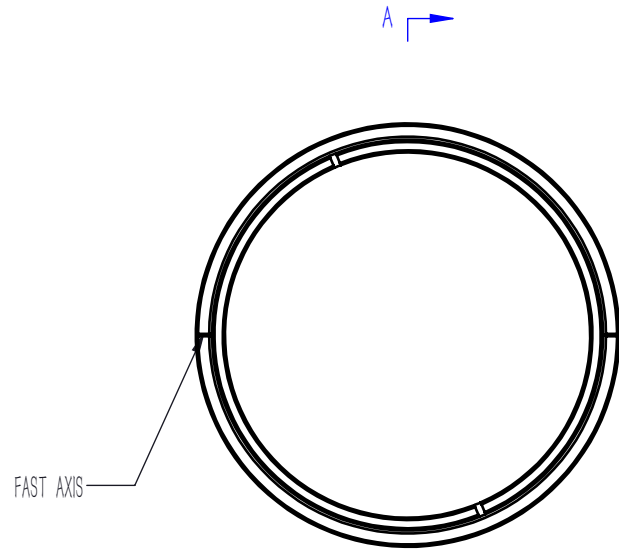


| | PART DESCRIPTION | MATERIAL |
|---|------------------|--------------------|
| ① | SM2-8A | ANODIZED ALUMINIUM |
| ② | SM2R | ANODIZED ALUMINIUM |
| ③ | HWP51-1550A | LCP/N-BK7 |



NOTES:

1. COMPONENT MATERIAL: LCP/N-BK7
2. ELEMENT DIAMETER: $\phi 50.8 +0/-0.1$ mm
3. ELEMENT THICKNESS: 3.2 ± 0.1 mm
4. OPTICAL APERTURE: $\phi 45$ mm
5. WORKING WAVELENGTH: 1550 nm
6. RETARDANCE: $\lambda/2$
7. SURFACE QUALITY (S/D): 60/40
8. AR COATING (S1, S2) : $R_{\text{avg}} < 1.2\%$
@700-1700 nm



| | | | | | | |
|--|--------|-------------|-----------------|---------|-------|-----|
| DRAWING PROJECTION | | | LBTEK | | | |
| | | | | | | |
| | NAME | DATE | HWP51-1550A-M | | | |
| DRAWN | SHAN | NOV./7th/24 | Half Wave Plate | | | |
| APPROVAL | WCHENG | NOV./7th/24 | MATERIAL | WEIGHT | SCALE | REV |
| FOR INFORMATION ONLY NOT FOR MANUFACTURING PURPOSES | | | N-BK7/LCP | 29.05 g | 1:1 | A |