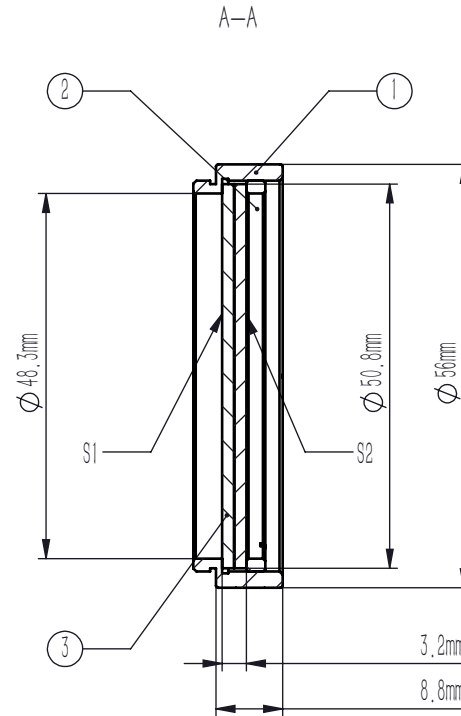
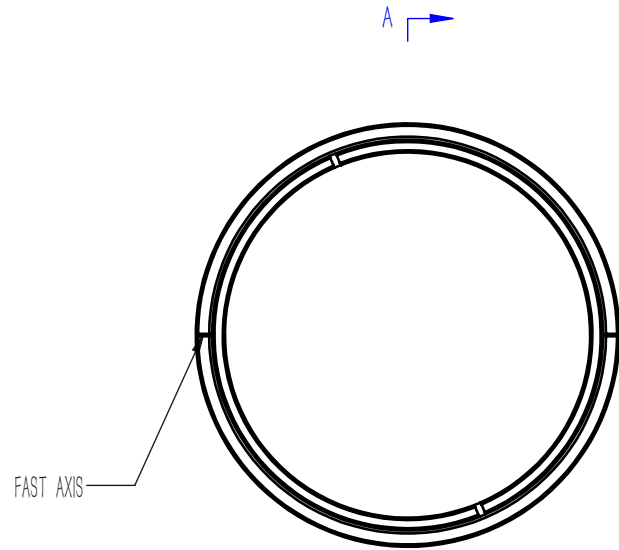


	PART DESCRIPTION	MATERIAL
①	SM2-8A	ANODIZED ALUMINIUM
②	SM2R	ANODIZED ALUMINIUM
③	HWP51-850A	LCP/N-BK7



NOTES:

1. COMPONENT MATERIAL: LCP/N-BK7
2. ELEMENT DIAMETER:  $\phi 50.8 +0/-0.1$  mm
3. ELEMENT THICKNESS:  $3.2 \pm 0.1$  mm
4. OPTICAL APERTURE:  $\phi 45$  mm
5. WORKING WAVELENGTH: 850 nm
6. RETARDANCE:  $\lambda / 2$
7. SURFACE QUALITY (S/D): 60/40
8. AR COATING (S1, S2) :  $R_{\text{avg}} < 0.7\%$   
@700-1100 nm



DRAWING PROJECTION			<b>LBTEK</b>			
	NAME	DATE				
DRAWN	SHAN	NOV./7th/24	Half Wave Plate			
APPROVAL	WCHENG	NOV./7th/24	MATERIAL	WEIGHT	SCALE	REV
FOR INFORMATION ONLY NOT FOR MANUFACTURING PURPOSES			N-BK7/LCP	29.05 g	1:1	A