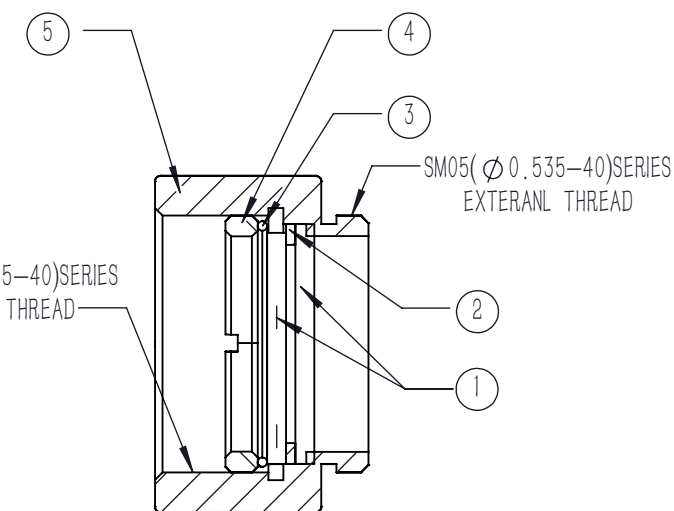


| NUMBER | PART DESCRIPTION | MATERIAL |
|--------|--------------------|-------------------------|
| ① | WAVEPLATE | QUARTZ |
| ② | GASKET | GASKET |
| ③ | O-RING | NITRILE |
| ④ | SM05R | BLACK ANODIZED ALUMINUM |
| ⑤ | MECHANICAL HOUSING | BLACK ANODIZED ALUMINUM |



NOTES

1. DESIGN WAVELENGTH: 532 nm
2. CLEAR APERTURE: $\varnothing 10$ mm
3. DELAY: $\lambda/2$
4. DELAY TOLERANCE: $\pm \lambda/300$
5. WAVEFRONT ERROR(RMS): $\lambda/8$ @632.8 nm
6. AR COATING: V coating @532 nm,
(S1,S2,S3,S4): $R_{avg} < 0.25\%$ (6° AOI, SINGLE SURFACE)
7. CHAMFER: 45° , < 0.2 mm
8. SURFACE QUALITY(S1,S2,S3,S4): 20/10(S/D)
9. PARALLELISM(S1,S2,S3,S4): < 10 arcsec

| | | | | | | | |
|--|--------|--------------|--|--------------|-------|-----|--|
| DRAWING PROJECTION | | | | LBTEK | | | |
| | NAME | DATE | HWPSM05-532B | | | | |
| DRAWN | LZHOU | JUL./12th/24 | QUARTZ ZERO-ORDER WAVEPLATE SM05, $\varnothing 10$ mm CA, $\lambda/2$, @532 nm | | | | |
| APPROVAL | WCHENG | JUL./12th/24 | MATERIAL | WEIGHT | SCALE | REV | |
| FOR INFORMATION ONLY NOT FOR MANUFACTURING PURPOSES | | | QUARTZ | 3.7 g | 5:2 | B | |