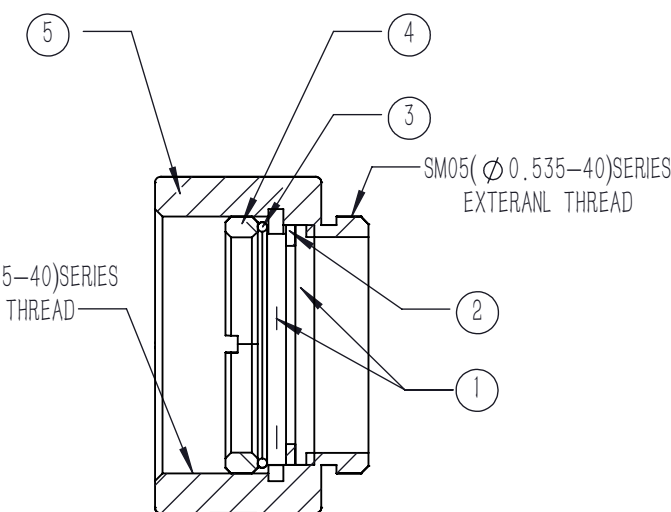


NUMBER	PART DESCRIPTION	MATERIAL
①	WAVEPLATE	QUARTZ
②	GASKET	GASKET
③	O-RING	NITRILE
④	SM05R	BLACK ANODIZED ALUMINUM
⑤	MECHANICAL HOUSING	BLACK ANODIZED ALUMINUM



NOTES

1. DESIGN WAVELENGTH: 633 nm
2. CLEAR APERTURE: Ø10 mm
3. DELAY:  $\lambda/2$
4. DELAY TOLERANCE:  $\pm \lambda/300$
5. WAVEFRONT ERROR(RMS):  $\lambda/8$  @632.8 nm
6. AR COATING: V coating @633 nm,  
(S1,S2,S3,S4):  $R_{avg} < 0.25\%$  (6° AOI, SINGLE SURFACE)
7. CHAMFER: 45° , <0.2mm
8. SURFACE QUALITY(S1,S2,S3,S4): 20/10(S/D)
9. PARALLELISM(S1,S2,S3,S4): <10 arcsec

DRAWING PROJECTION				<b>LBTEK</b>			
	NAME	DATE	HWPSM05-633B				
DRAWN	LZHOU	JUL./12th/24	QUARTZ ZERO-ORDER WAVEPLATE SM05, Ø10 mm CA, $\lambda/2$ , @633 nm				
APPROVAL	WCHENG	JUL./12th/24	MATERIAL	WEIGHT	SCALE	REV	
FOR INFORMATION ONLY NOT FOR MANUFACTURING PURPOSES			QUARTZ	3.7 g	5:2	B	