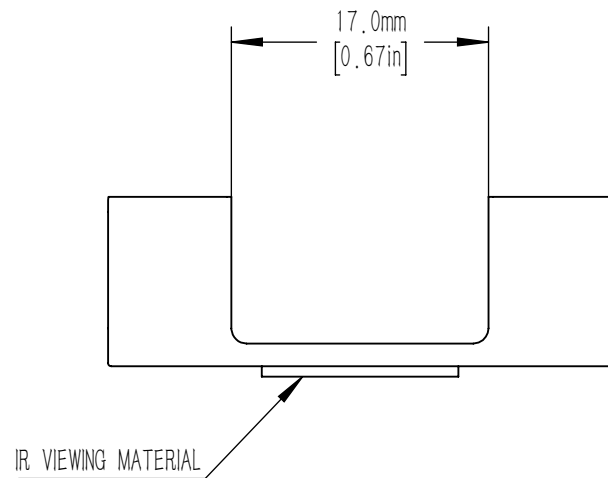


FOR USE WITH SM1 SERISE LENS TUBE
OR FLF SERISE LENS MOUNT



DRAWING PROJECTION			LBTEK			
	NAME	DATE				
DRAWN	SHU	AUG./12th/24	Laser alignment plate			
APPROVAL	CWZ	AUG./12th/24	MATERIAL	WEIGHT	SCALE	REV
FOR INFORMATION ONLY NOT FOR MANUFACTURING PURPOSES			6061-T6	4.7 g	2:1	C