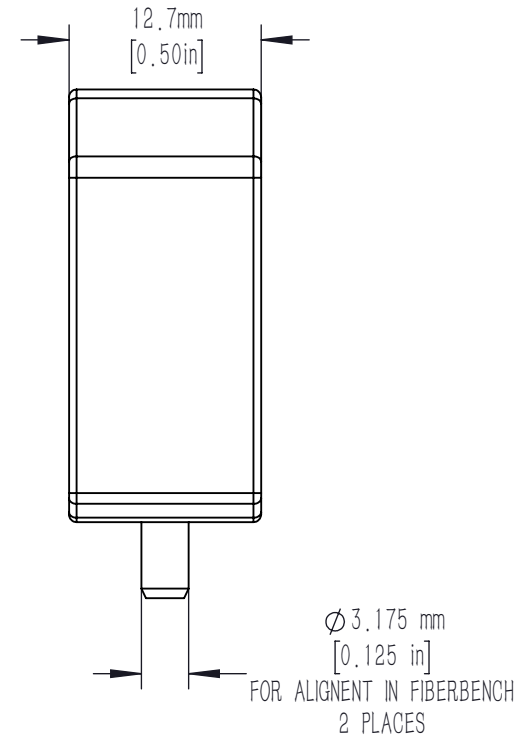
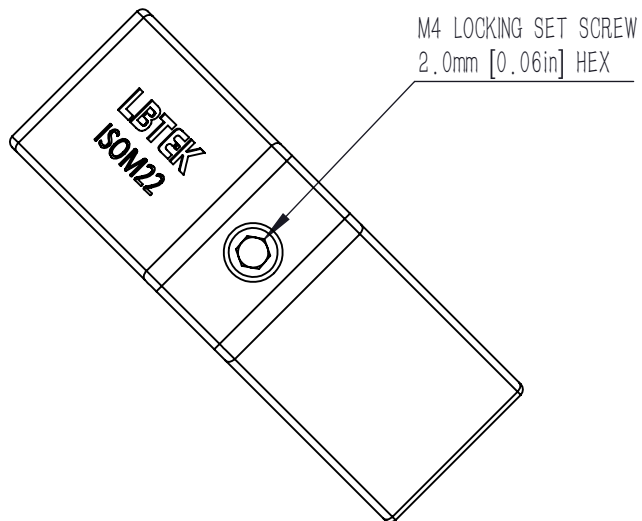


VIEW A



DRAWING PROJECTION			LBTEK			
	NAME	DATE	ISOM22			
DRAWN	CZH	DEC./7th/23	FIBERBENCH ADAPTER FOR ISOLATOR			
APPROVAL	HDE	DEC./7th/23	MATERIAL	WEIGHT	SCALE	REV
FOR INFORMATION ONLY NOT FOR MANUFACTURING PURPOSES			N/A	0.014 Kg	2:1	A