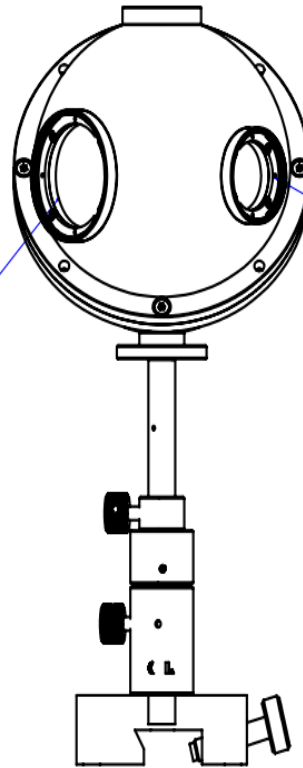


0度开口 $\phi 38\text{mm}$

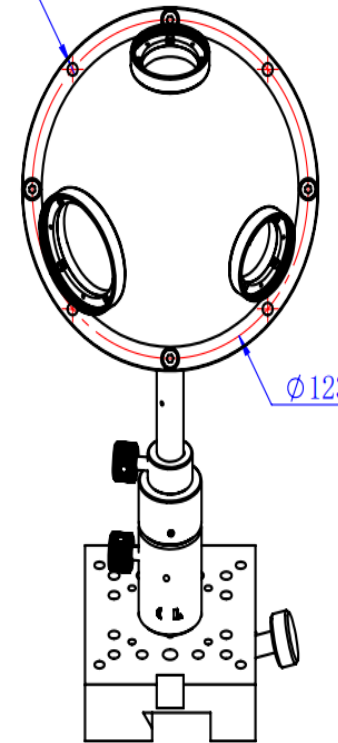
S $\phi 115$



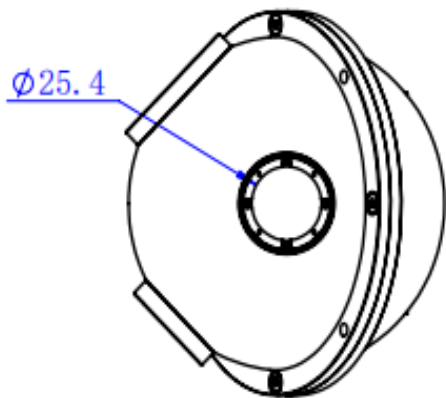
4- $\phi 4.5$
安装孔位

$\phi 25.4$

视图 B
 $\curvearrowright 35^\circ$

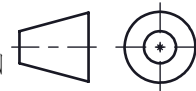


$\phi 123$



$\phi 25.4$

DRAWING
PROJECTION



LBTEK

NAME

DATE

LBIS-LPS100-3

DRAWN

BSHU

Oct./22th/24

Integrating sphere

APPROVAL

WCHENG

Oct./22th/24

MATERIAL

WEIGHT

SCALE

REV

FOR INFORMATION ONLY
NOT FOR MANUFACTURING PURPOSES

N/A

N/A

1:3

A