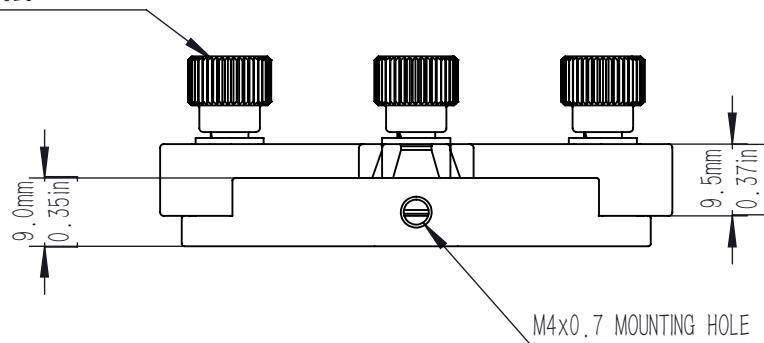


LOCKING THUMBSCREW
3 PLACES

VIEW A



| | | | | | | |
|--|------|--------------|-----------------------|----------|-------|-----|
| DRAWING PROJECTION | | | LBTEK | | | |
| NAME | DATE | LHS1 | | | | |
| DRAWN | CZH | DEC./15th/21 | ADJUSTABLE LENS MOUNT | | | |
| APPROVAL | ZXU | DEC./15th/21 | MATERIAL | WEIGHT | SCALE | REV |
| FOR INFORMATION ONLY NOT FOR MANUFACTURING PURPOSES | | | N/A | 0.035 Kg | 1:1 | B |