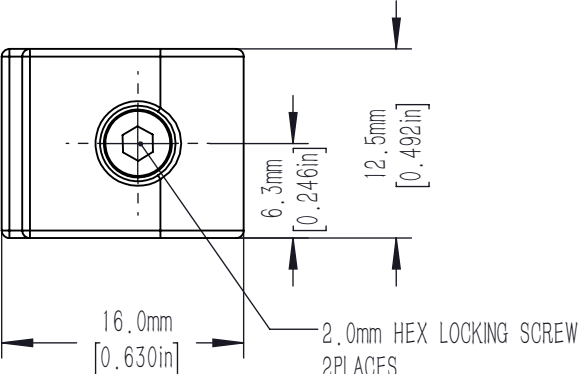
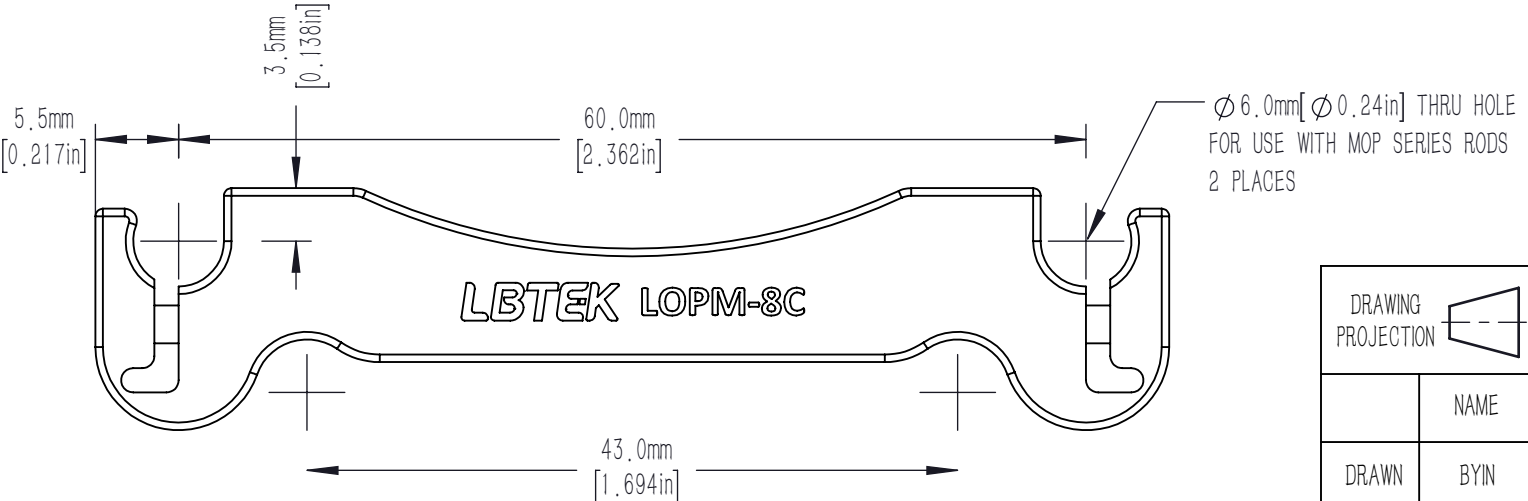


COUNTERBORE HOLE FOR M4 CAP SCREW 3 PLACES



2.0mm HEX LOCKING SCREW 2 PLACES



LBTEK LOPM-8C

DRAWING PROJECTION			<b>LBTEK</b>			
NAME	DATE	LOPM-8C				
DRAWN	BYIN	JUN./25th/19	60mm CAGE MOUNTING BRACKET			
APPROVAL	LDAI	JUN./25th/19	MATERIAL	WEIGHT	SCALE	REV
FOR INFORMATION ONLY NOT FOR MANUFACTURING PURPOSES			ALUMINIUM	0.020 Kg	2:1	B