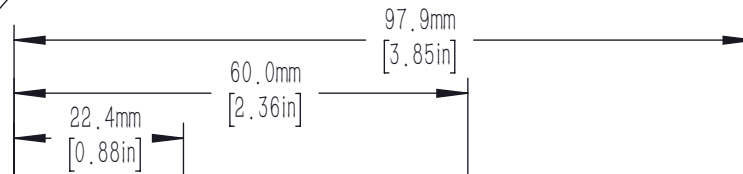
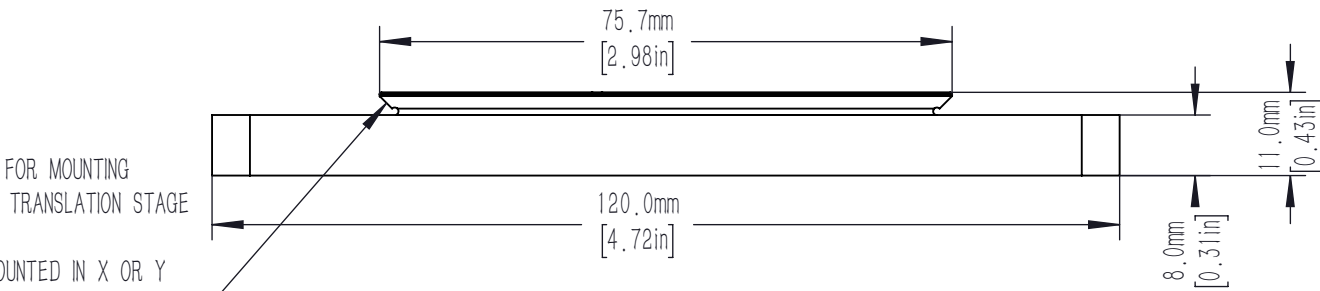
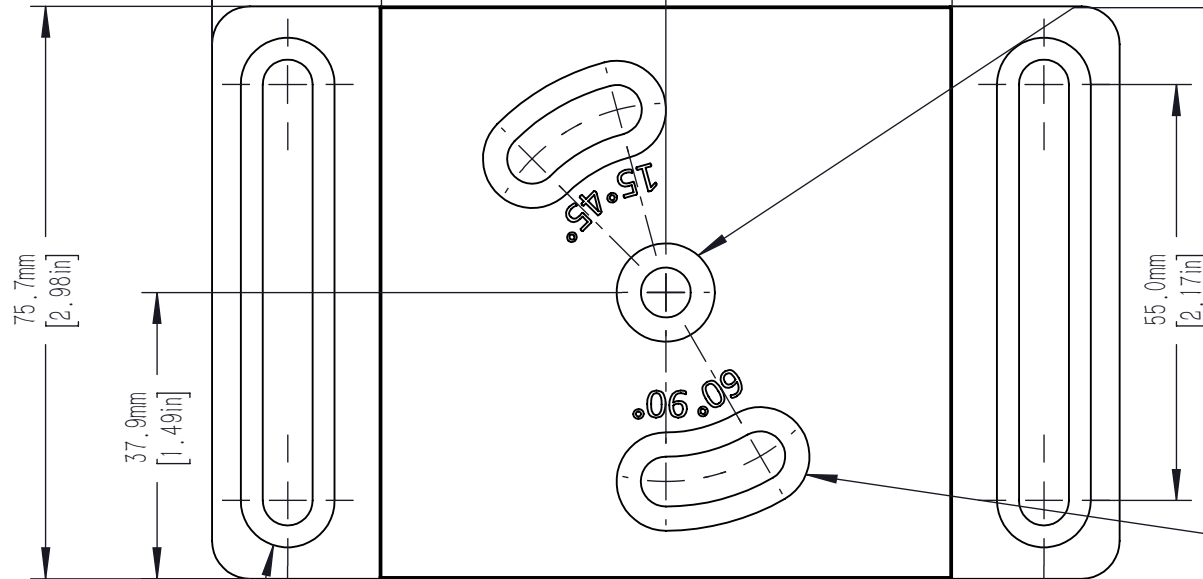


SQUARE DOVETAIL FOR MOUNTING  
LS75-50x SERIES TRANSLATION STAGE  
(NOT INCLUDED)  
STAGE MAY BE MOUNTED IN X OR Y  
ORIENTATION

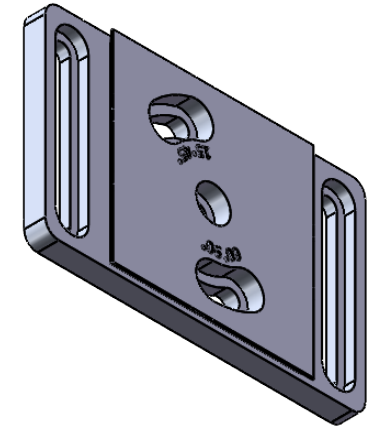


COUNTER BORED HOLE FOR  
M6 CAP SCREW  
PROVIDES CENTRALLY LOCATED POINT  
ABOUT WHICH THE PLATE MAY BE ROTATED



COUNTER BORED SLOT FOLLOWS 50.0mm [ 2.00in]  
FOR M6 CAP SCREW  
ALLOWS BASE PLATE TO BE SECURED  
AT ARBITRARY ANGLES  
COMMON ANGLES INDICATED BY END OF SLOTS AND ENGRAVING

COUNTER BORED SLOT FOR  
M6 CAP SCREW  
2 PLACES  
100.0mm [3.94in]



DRAWING PROJECTION			<b>LBTEK</b>			
	NAME	DATE				
DRAWN	ZLI	MAR./10th/25	DOVE TAIL BASE PLATE			
APPROVAL	YLI	MAR./10th/25	MATERIAL	WEIGHT	SCALE	REV
FOR INFORMATION ONLY NOT FOR MANUFACTURING PURPOSES			N/A	0.16 Kg	1:1	A