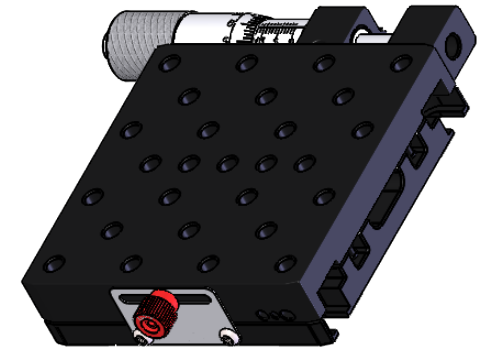
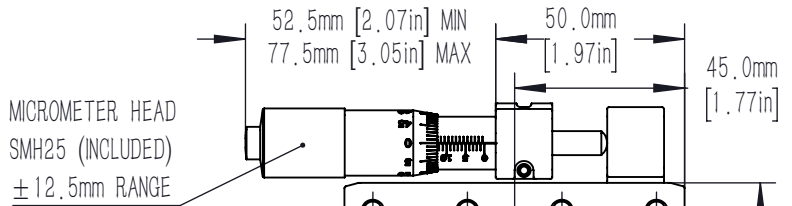
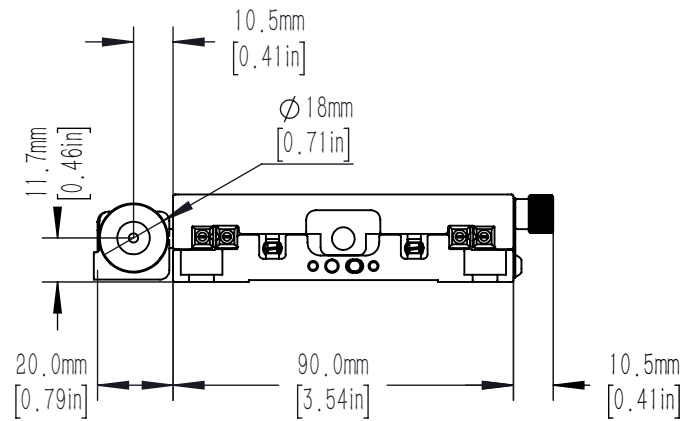


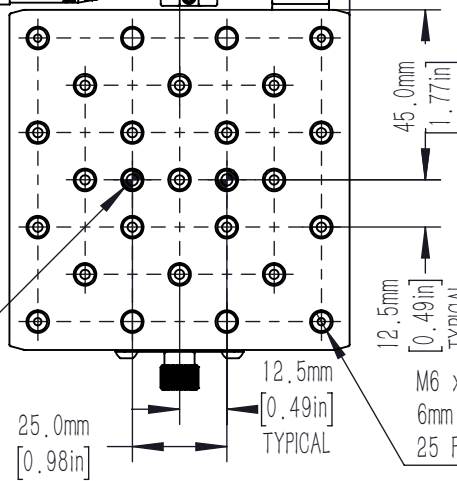
MOUNTING SLOT FOR USE WITH
 M6 x 1.0 MOUNTING SCREWS
 4 PLACES



TRANSLATION LOCKING THUMBSCREW
 1.5mm [0.06in] HEX



$\varnothing 5.0\text{mm}$ ($\varnothing 0.20\text{in}$)
 DOWEL ALIGNMENT HOLES
 FOR LS90 STAGE CONNECTING
 2 PLACES



DRAWING PROJECTION			LBTEK			
	NAME	DATE	LS90-25L1			
DRAWN	ZHE	JUN./29th/19	25mm CROSSED ROLLER TRANSLATION STAGE (LEFT HANDED DRIVING, ONE AXIS)			
APPROVAL	LDAI	JUN./29th/19	MATERIAL	WEIGHT	SCALE	REV
FOR INFORMATION ONLY NOT FOR MANUFACTURING PURPOSES			N/A	0.53 Kg	1:2	C