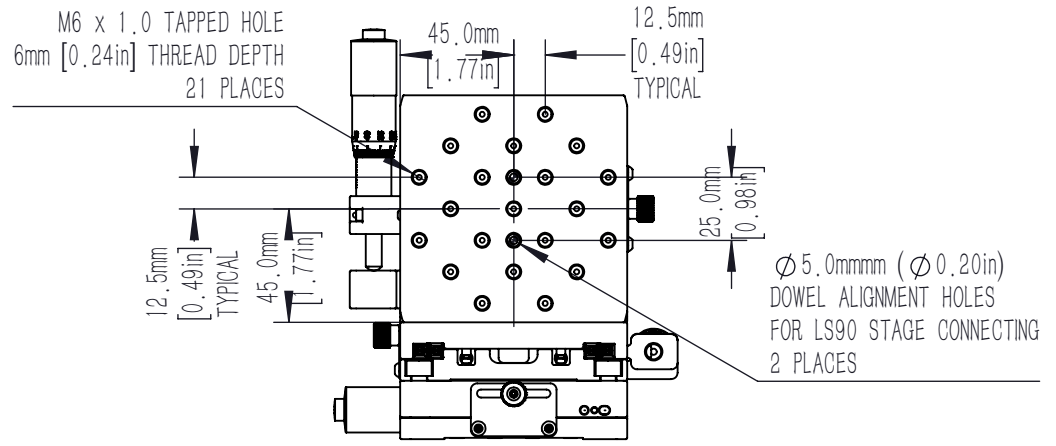
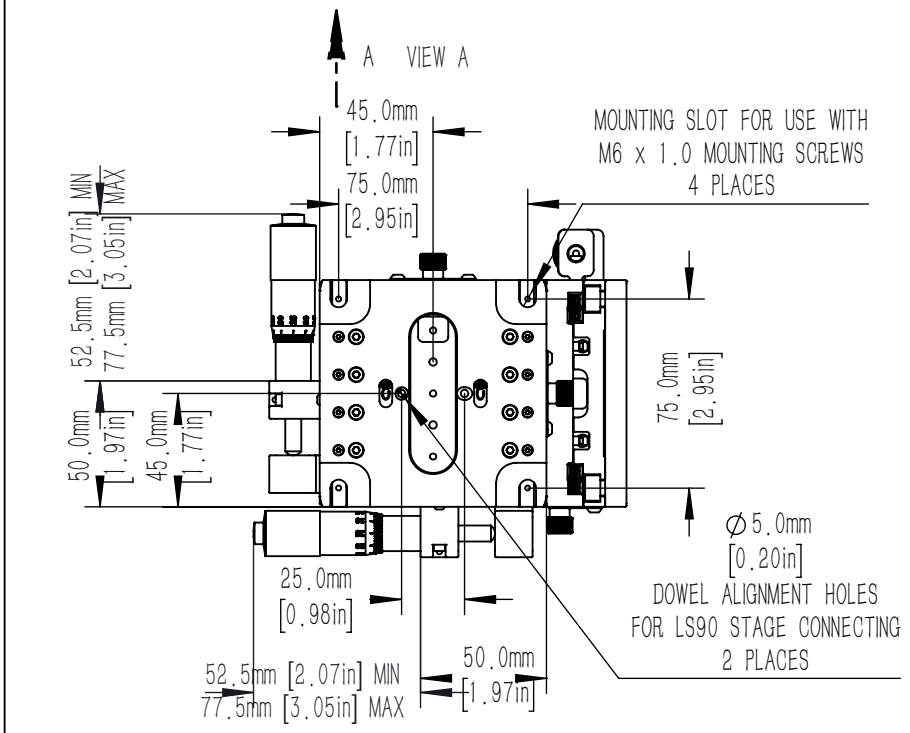
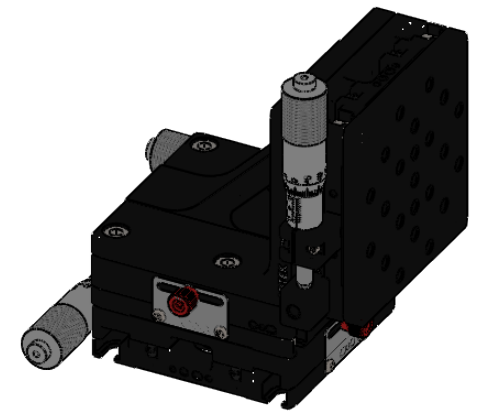
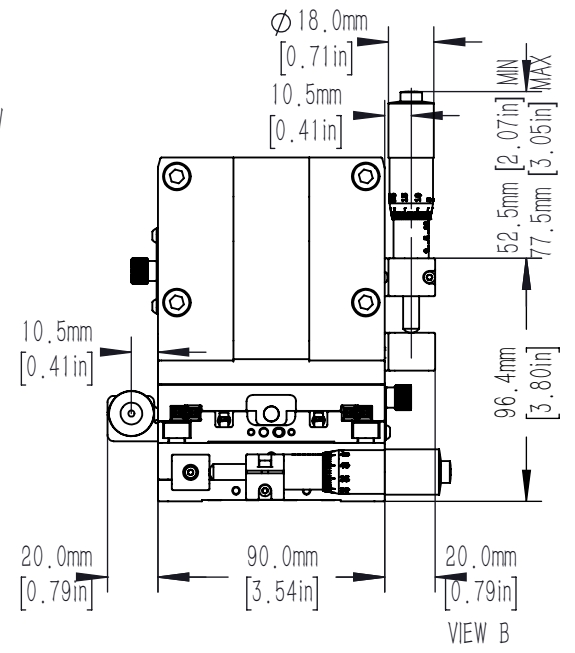
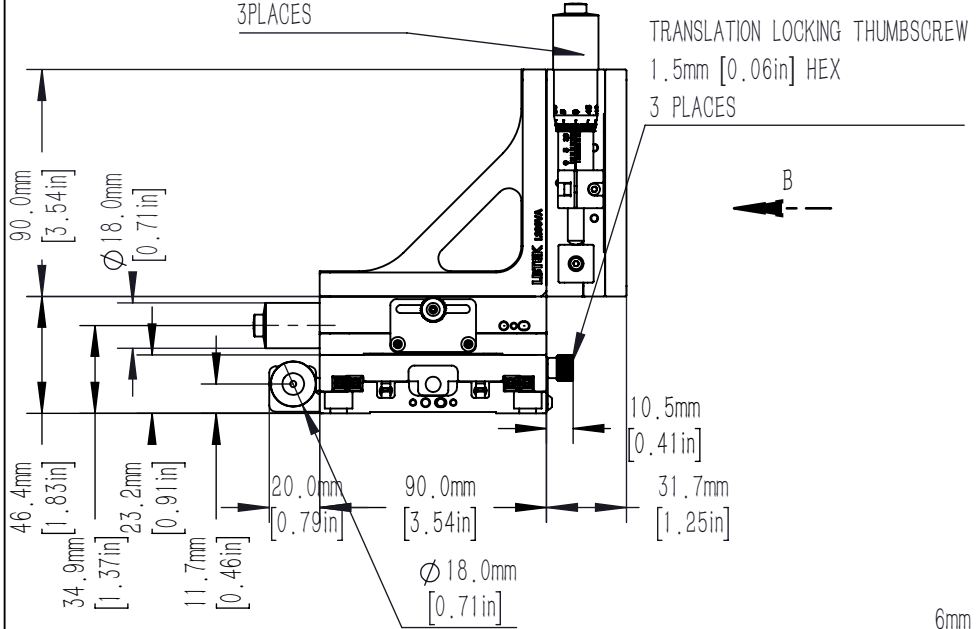


MICROMETER HEAD
SMH25 (INCLUDED)
±12.5mm RANGE
3PLACES



DRAWING PROJECTION				LBTEK www.lbtek.com			
DRAWN	ZHE	JUL./30th/19	25mm CROSSED ROLLER TRANSLATION STAGE (LEFT DRIVING, THREE AXIS)				
APPROVAL	ERIC	JUL./30th/19	MATERIAL	WEIGHT	SCALE	REV	
FOR INFORMATION ONLY NOT FOR MANUFACTURING PURPOSES			N/A	2.31 Kg	1:3	B	