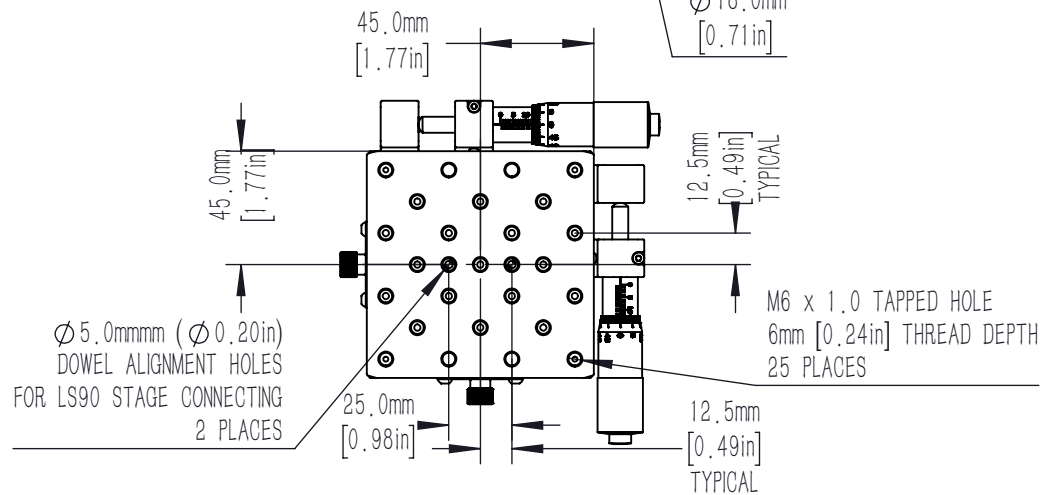
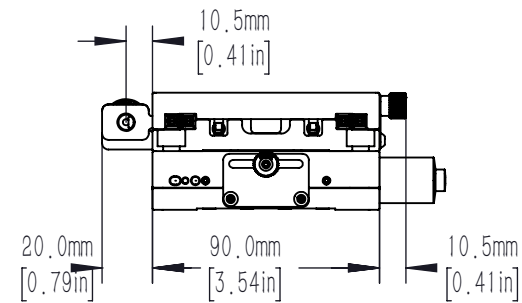
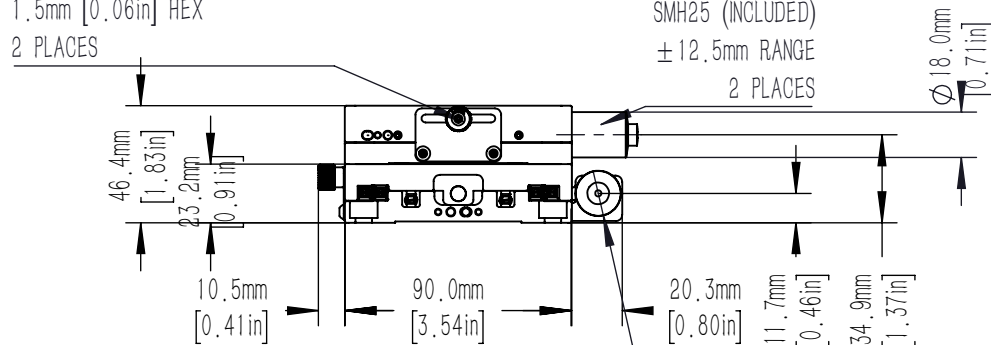




MOUNTING SLOT FOR USE WITH
M6 x 1.0 MOUNTING SCREWS
4 PLACES

MICROMETER HEAD
SMH25 (INCLUDED)
±12.5mm RANGE
2 PLACES



DRAWING PROJECTION		 		LBTEK www.lbtek.com			
	NAME	DATE	LS90-25R2				
DRAWN	ZHE	JUL./30th/19	25mm CROSSED ROLLER TRANSLATION STAGE (RIGHT HANDED DRIVING, TWO AXIS)				
APPROVAL	ERIC	JUL./30th/19	MATERIAL	WEIGHT	SCALE	REV	
FOR INFORMATION ONLY NOT FOR MANUFACTURING PURPOSES			N/A	1.09 Kg	1:3	C	