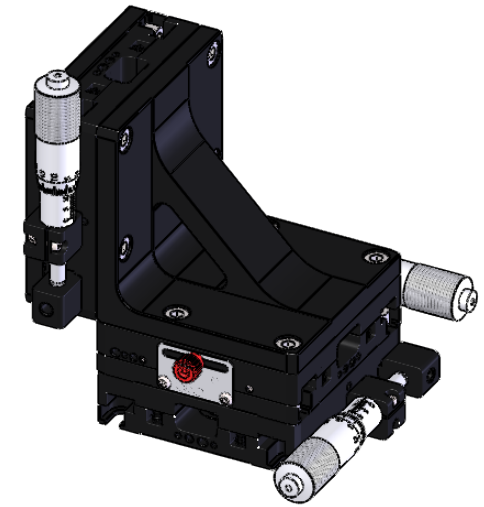
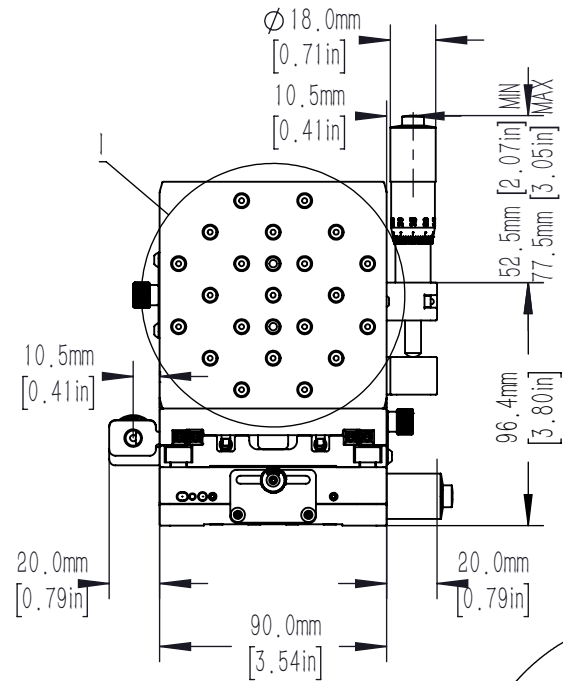
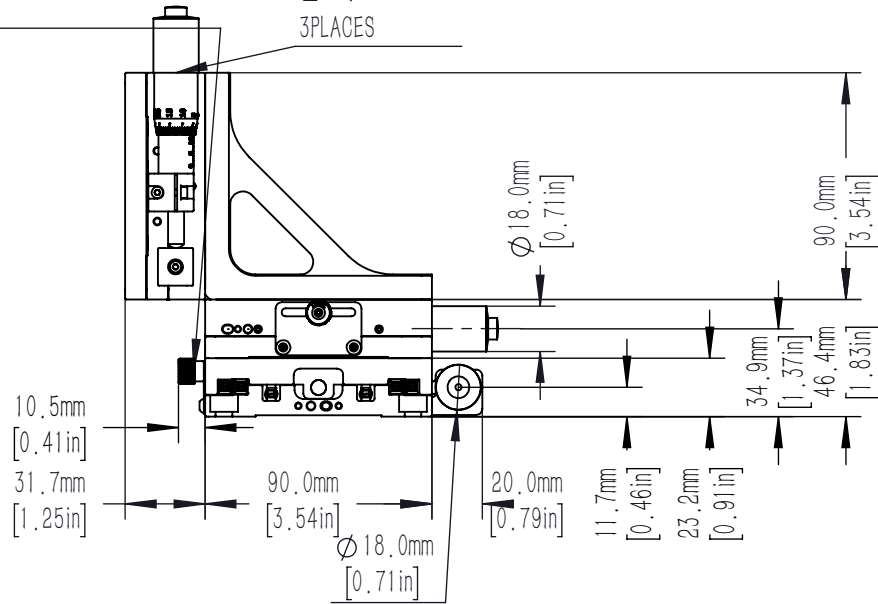


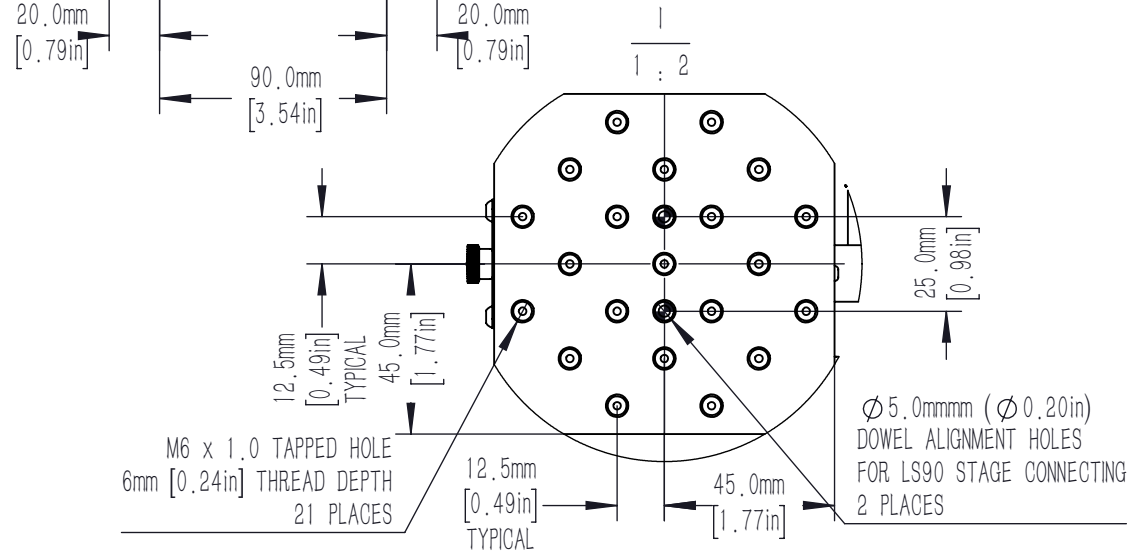
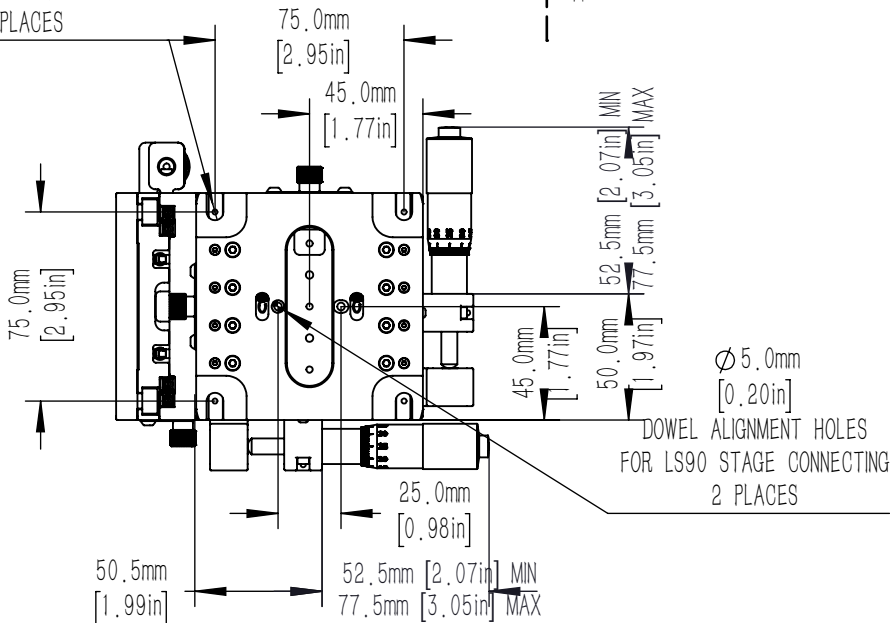
TRANSLATION LOCKING THUMBSCREW  
1.5mm [0.06in] HEX  
3 PLACES

MICROMETER HEAD  
SMH25 (INCLUDED)  
±12.5mm RANGE  
3 PLACES



MOUNTING SLOT FOR USE WITH  
M6 x 1.0 MOUNTING SCREWS  
4 PLACES

VIEW A



M6 x 1.0 TAPPED HOLE  
6mm [0.24in] THREAD DEPTH  
21 PLACES

Ø5.0mm (Ø0.20in)  
DOWEL ALIGNMENT HOLES  
FOR LS90 STAGE CONNECTING  
2 PLACES

DRAWING PROJECTION				<b>LBTEK</b> www.lbtek.com			
DRAWN	ZHE	JUL./30th/19	25mm CROSSED ROLLER TRANSLATION STAGE (RIGHT DRIVING, THREE AXIS)				
APPROVAL	ERIC	JUL./30th/19	MATERIAL	WEIGHT	SCALE	REV	
FOR INFORMATION ONLY NOT FOR MANUFACTURING PURPOSES			N/A	2.31 Kg	1:3	B	