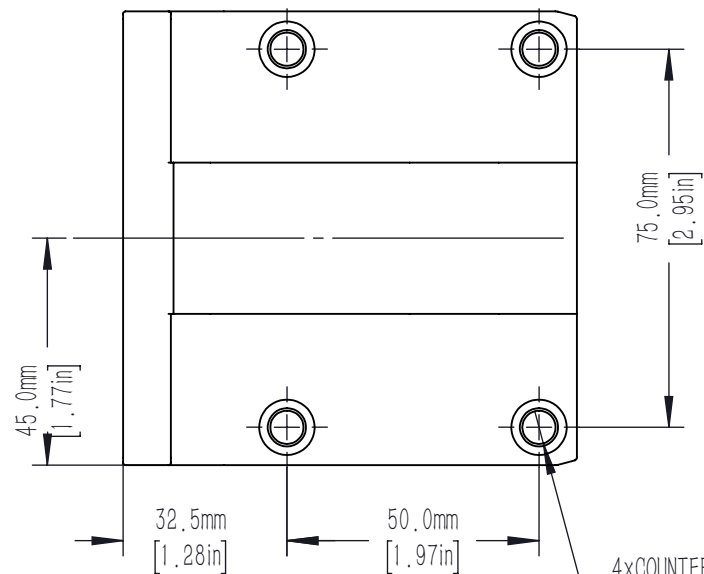
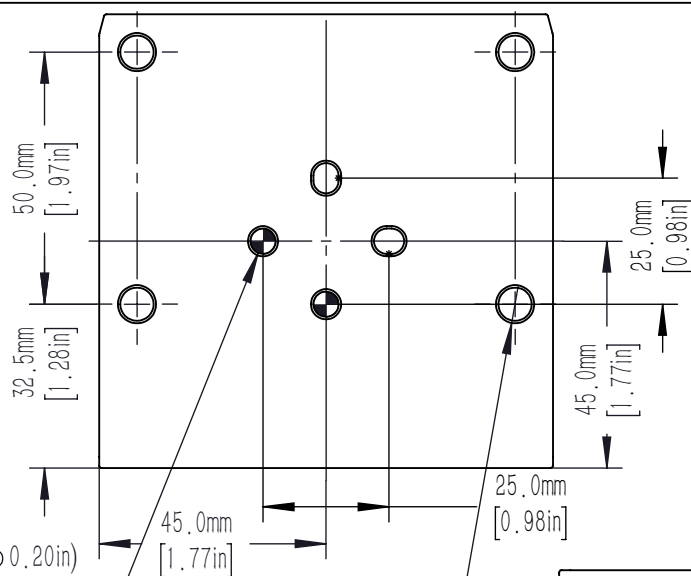


Ø 5.0mm (Ø 0.20in)  
DOWEL ALIGNMENT HOLES  
FOR LS90 STAGE CONNECTING  
4 PLACES

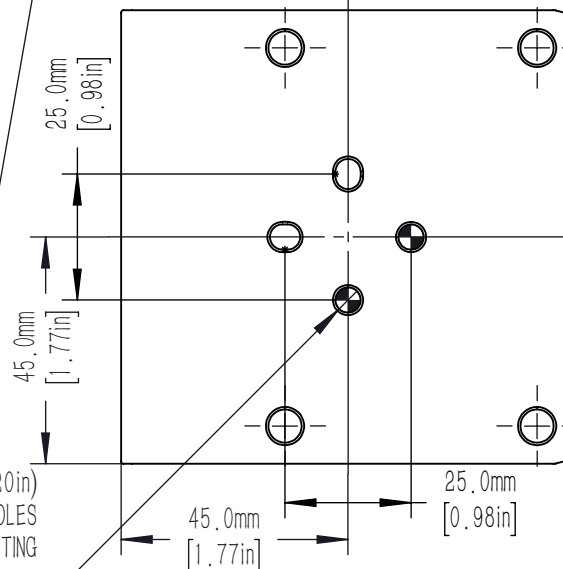
4xCOUNTERBORED HOLES  
TO SUIT M6 HEXAGON SOCKET HEAD CAP SCREW  
FOR LS90 STAGE CONNECTING 4 PLACES



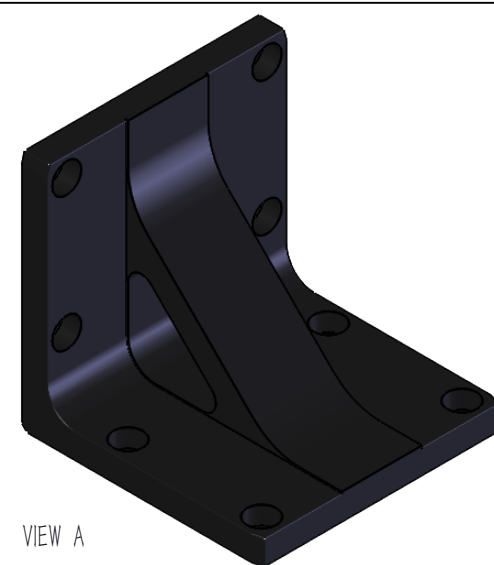
4xCOUNTERBORED HOLES  
TO SUIT M6 HEXAGON SOCKET HEAD CAP SCREW  
FOR LS90 STAGE CONNECTING 4 PLACES



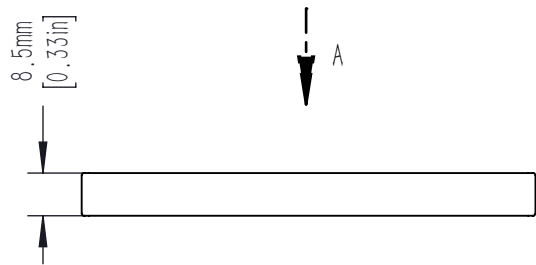
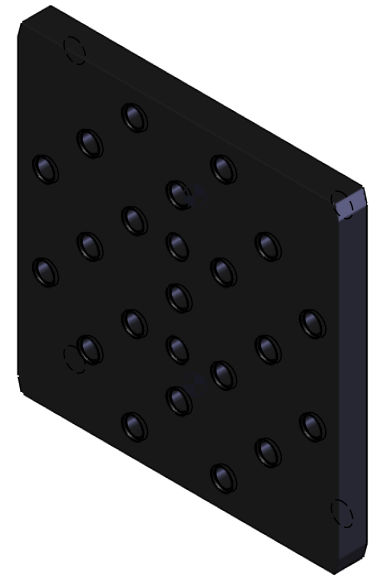
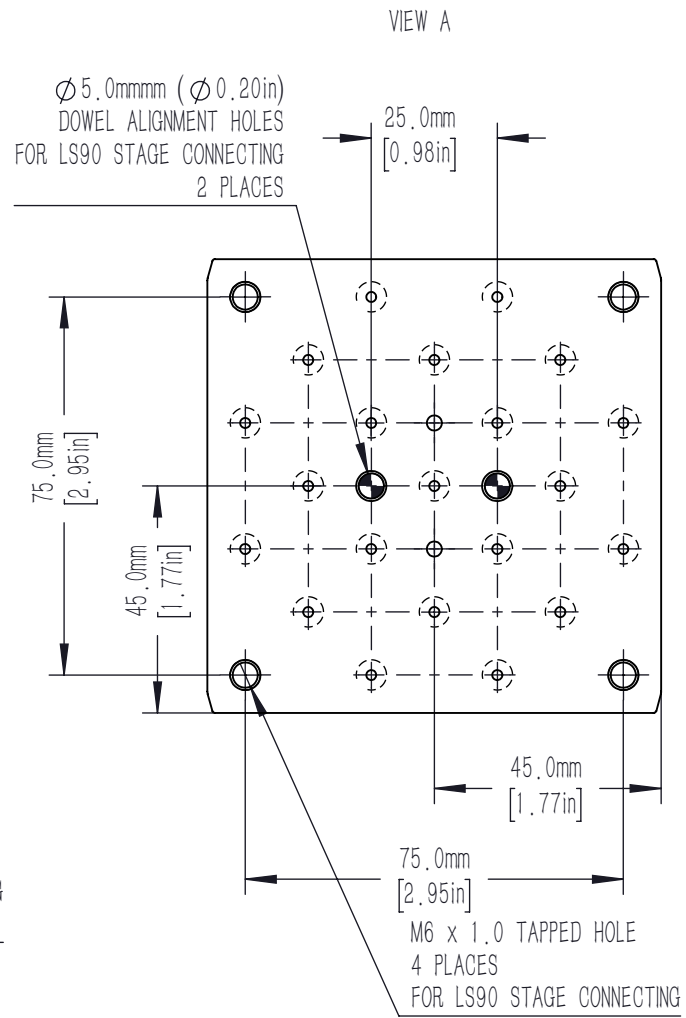
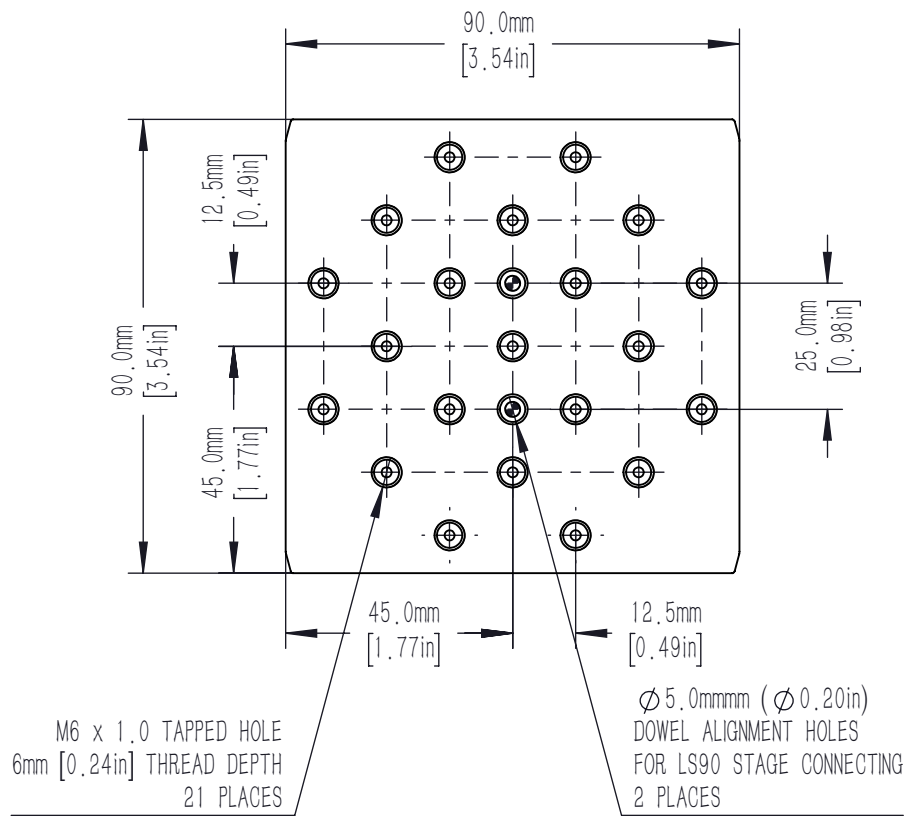
VIEW A



Ø 5.0mm (Ø 0.20in)  
DOWEL ALIGNMENT HOLES  
FOR LS90 STAGE CONNECTING  
4 PLACES



DRAWING PROJECTION			<b>LBTEK</b>			
	NAME	DATE				
DRAWN	ZHE	JUL./29th/19	90mm RIGHT ANGLE ADAPTER PLATE			
APPROVAL	ERIC	JUL./29th/19	MATERIAL	WEIGHT	SCALE	REV
FOR INFORMATION ONLY NOT FOR MANUFACTURING PURPOSES			ALUMINUM	0.45 Kg	2.3	B



DRAWING PROJECTION			<b>LBTEK</b>			
	NAME	DATE				
DRAWN	ZHE	JUL./30th/19	Z-Axis MOUNTING PLATE			
APPROVAL	ERIC	JUL./30th/19	MATERIAL	WEIGHT	SCALE	REV
FOR INFORMATION ONLY NOT FOR MANUFACTURING PURPOSES			ALUMINUM	0.17 Kg	2.3	B