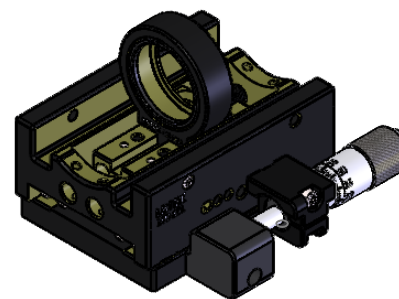
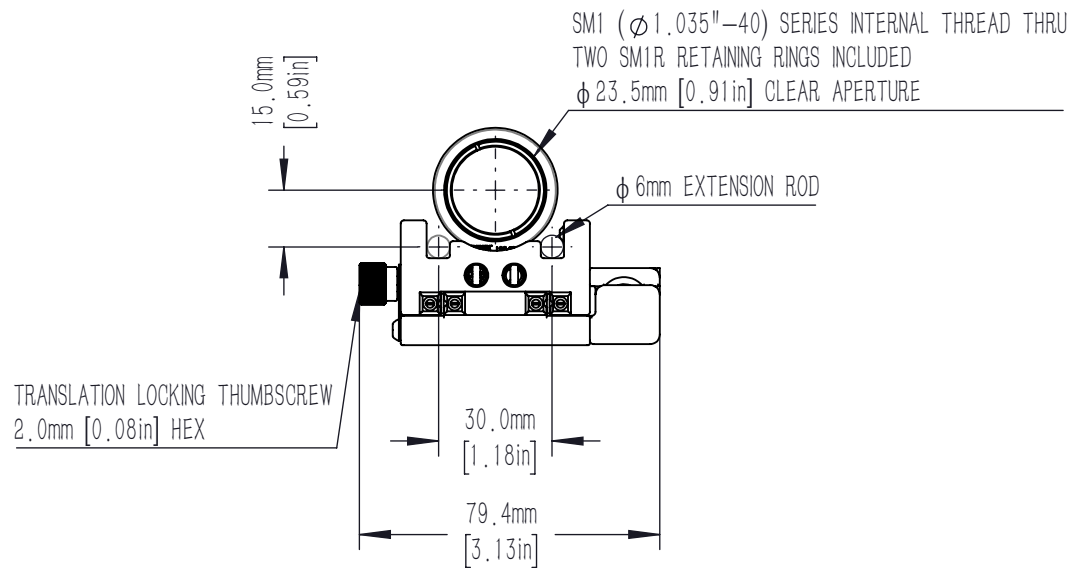
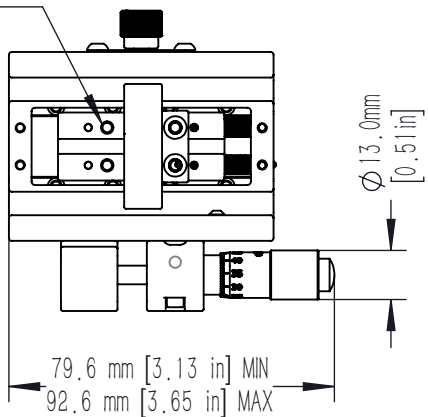


M3x0.5 LOCKING SET SCREW
1.5mm [0.06in] HEX
6 PLACES



DRAWING PROJECTION			LBTEK			
	NAME	DATE				
DRAWN		MAR./6th/20	COAXIAL DISPLACEMENT TABLE			
APPROVAL		MAR./6th/20	MATERIAL	WEIGHT	SCALE	REV
FOR INFORMATION ONLY NOT FOR MANUFACTURING PURPOSES			N/A	0.304 Kg	1:2	A