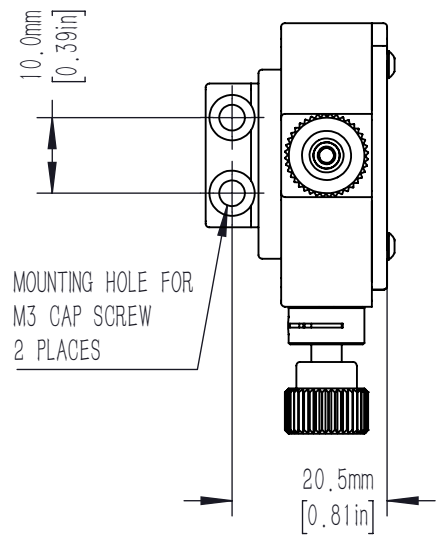
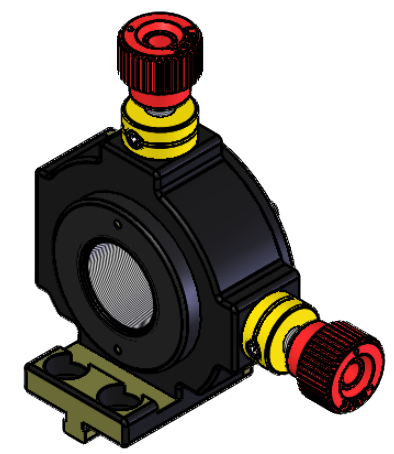


M4X0.25 LOCKABLE ADJUSTER SCREWS
 PROVIDES +/-1.0mm TOTAL LINEAR DISPLACEMENT
 (0.25mm PER REVOLUTION)
 2 PLACES
 2.0mm [5/64in] HEX

SM05 (0.535in-40) SERIES INTERNAL THREAD
 ACCEPTS 12.7mm [0.50in]
 MAXIMUM 10mm[0.40in] THICK OPTICS
 1 SM05R RETAINING RINGS INCLUDED
 φ 11.4mm [0.45in] CLEAR APERTURE

KEYWAY PROVIDES
 PRECISE ALIGNMENT
 ON LSC-13L



DRAWING PROJECTION			LBTEK			
	NAME	DATE				
DRAWN	YCH	MAR./6th/20	XY TRANSLATOR MOUNT			
APPROVAL	ZHE	MAR./6th/20	MATERIAL	WEIGHT	SCALE	REV
FOR INFORMATION ONLY NOT FOR MANUFACTURING PURPOSES			N/A	0.049 Kg	1:1	B