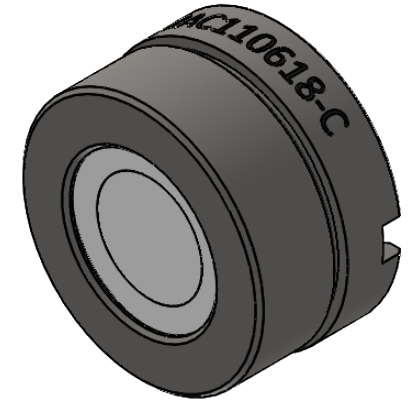
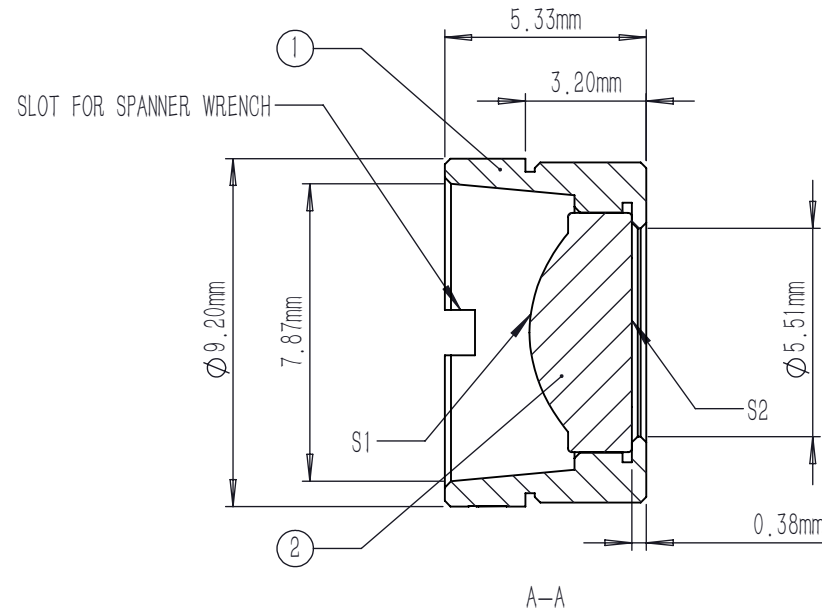
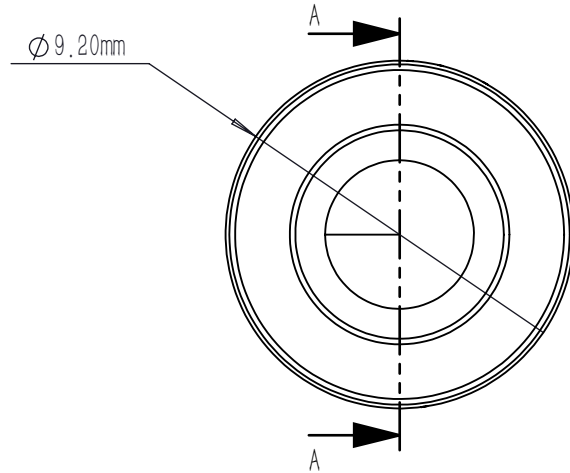


	TYPE	SHAPE	CA	R	k	A4	A6	A8	A10	A12	A14	A16
S1	ASPHERE	CX	∅5.07	3.576018	-0.924723	9.254780E-4	8.343884E-8	-5.472568E-7	-2.600541E-8	6.978885E-10	0	0
S2	PLANO	PL	∅3.93	PLANO	0	0	0	0	0	0	0	0

$$Z = \frac{Y^2}{R(1 + \sqrt{1 - (1 + K)Y^2 / R^2})} + \sum_i A_{2i} r^{2i}$$



NOTES:

- MATERIAL: D-ZLAF52LA
- DESIGN WAVELENGTH: 780 nm
- WORKING WAVELENGTH: 1000 nm-1700 nm
- CLEAR APERTURE: (S1) ∅5.07 mm, (S2) ∅3.93 mm
- NUMERICAL APERTURE: 0.6
- FOCAL LENGTH: 4.5 mm
- FOCAL LENGTH TOLERANCE: ±1.0 %
- BACK FOCAL LENGTH(REF): bf=3.1 mm
- DIAMETER TOLERANCE: ±0.015 mm
- THICKNESS TOLERANCE: ±0.05 mm
- CHAMFER: 0.2 mm, 45 °
- SURFACE QUALITY: 40-20 SCRATCH-DIG
- CENTRATION: <30 arcmin
- MAXIMUM TEMPERATURE: 250 °C(482 °F)
- AR COATING(S1,S2): Ravg<0.5 %@1000-1700 nm

	PART DESCRIPTION	MATERIAL
①	LENS MOUNT	303 STAINLESS STEEL
②	AC110618-C	D-ZLAF52LA

DRAWING PROJECTION				<b>LBTEK</b>			
	NAME	DATE	MAC110618-C				
DRAWN	SHAN	APR./30th/24	ASPHERIC CONDENSER LENS				
APPROVAL	WCHENG	APR./30th/24	MATERIAL	WEIGHT	SCALE	REV	
FOR INFORMATION ONLY NOT FOR MANUFACTURING PURPOSES			D-ZLAF52LA	1.30g	5:1	A	