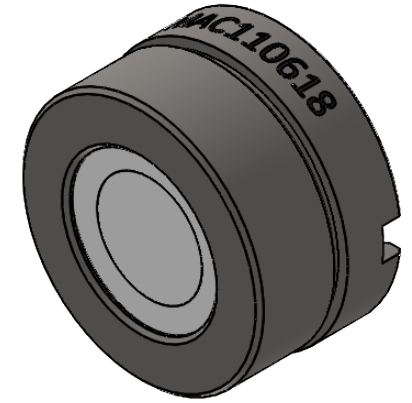
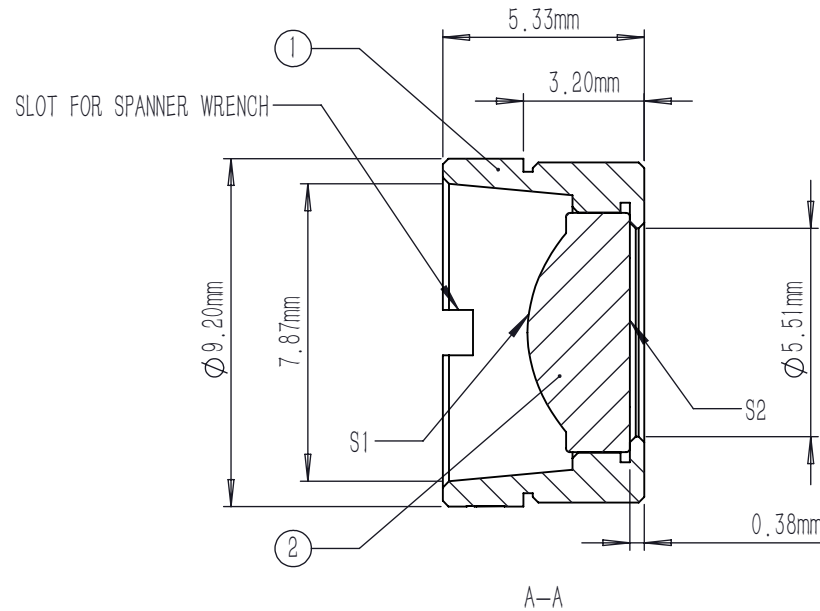
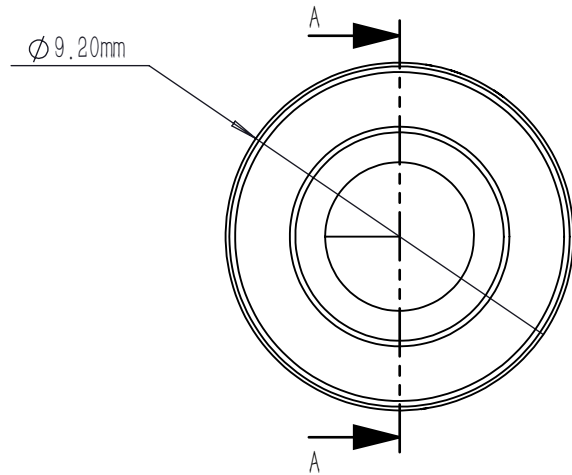


	TYPE	SHAPE	CA	R	k	A4	A6	A8	A10	A12	A14	A16
S1	ASPHERE	CX	∅5.07	3.576018	-0.924723	9.254780E-4	8.343884E-8	-5.472568E-7	-2.600541E-8	6.978885E-10	0	0
S2	PLANO	PL	∅3.93	PLANO	0	0	0	0	0	0	0	0

$$Z = \frac{Y^2}{R(1 + \sqrt{1 - (1 + K)Y^2 / R^2})} + \sum_i A_{2i} r^{2i}$$



NOTES:

1. MATERIAL: D-ZLAF52LA
2. DESIGN WAVELENGTH: 780 nm
3. WORKING WAVELENGTH: 340 nm-2400 nm
4. CLEAR APERTURE: (S1) ∅5.07 mm, (S2) ∅3.93 mm
5. NUMERICAL APERTURE: 0.6
6. FOCAL LENGTH: 4.5 mm
7. FOCAL LENGTH TOLERANCE: ±1.0 %
8. BACK FOCAL LENGTH(REF): bf=3.1 mm
9. DIAMETER TOLERANCE: ±0.015 mm
10. THICKNESS TOLERANCE: ±0.05 mm
11. CHAMFER: 0.2 mm, 45 °
12. SURFACE QUALITY: 40-20 SCRATCH-DIG
13. CENTRATION: <30 arcmin
14. MAXIMUM TEMPERATURE: 250 °C(482 °F)
15. AR COATING: UNCOATED

	PART DESCRIPTION	MATERIAL
①	LENS MOUNT	303 STAINLESS STEEL
②	AC110618	D-ZLAF52LA

DRAWING PROJECTION				LBTEK			
	NAME	DATE	MAC110618				
DRAWN	SHAN	APR./30th/24	ASPHERIC CONDENSER LENS				
APPROVAL	WCHENG	APR./30th/24	MATERIAL	WEIGHT	SCALE	REV	
FOR INFORMATION ONLY NOT FOR MANUFACTURING PURPOSES			D-ZLAF52LA	1.30g	5:1	A	