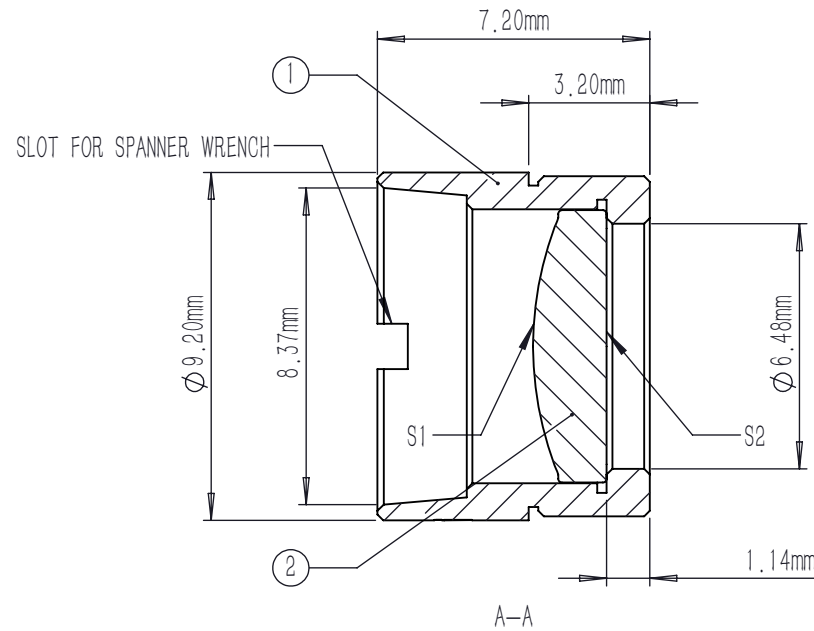
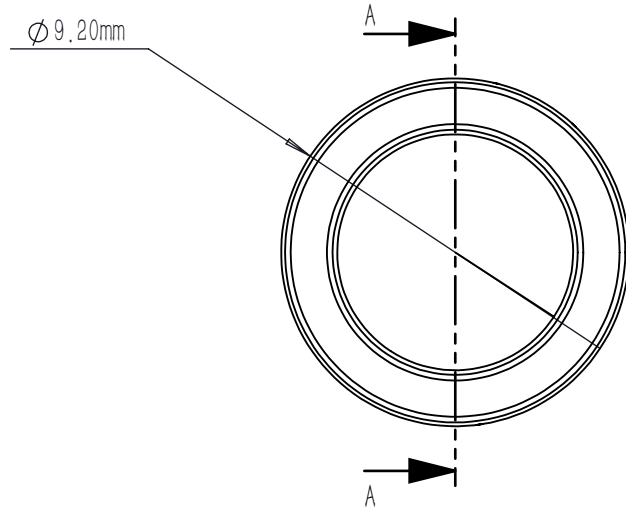


	TYPE	SHAPE	CA	R	k	A4	A6	A8	A10	A12	A14	A16
S1	ASPHERE	CX	∅6.68	8.789661	-0.905894	3.790758E-5	-1.563752E-7	0	0	0	0	0
S2	PLANO	PL	∅6.24	PLANO	0	0	0	0	0	0	0	0

$$Z = \frac{Y^2}{R(1 + \sqrt{1 - (1 + K)Y^2/R^2})} + \sum_i A_{2i} r^{2i}$$



NOTES:

- MATERIAL: D-ZLAF52LA
- DESIGN WAVELENGTH: 670 nm
- WORKING WAVELENGTH: 600 nm-1050 nm
- CLEAR APERTURE: (S1) ∅6.68 mm, (S2) ∅6.24 mm
- NUMERICAL APERTURE: 0.3
- FOCAL LENGTH: 11 mm
- FOCAL LENGTH TOLERANCE: ±1.0 %
- BACK FOCAL LENGTH(REF): bf=10 mm
- DIAMETER TOLERANCE: ±0.015 mm
- THICKNESS TOLERANCE: ±0.05 mm
- CHAMFER: 0.2 mm, 45 °
- SURFACE QUALITY: 40-20 SCRATCH-DIG
- CENTRATION: <30 arcmin
- MAXIMUM TEMPERATURE: 250 °C(482 °F)
- AR COATING(S1,S2): Ravg<0.5 %@600-1050 nm

	PART DESCRIPTION	MATERIAL
①	LENS MOUNT	303 STAINLESS STEEL
②	AC111635-B	D-ZLAF52LA

DRAWING PROJECTION				LBTEK			
	NAME	DATE	MAC111635-B				
DRAWN	SHAN	APR./30th/24	ASPHERIC CONDENSER LENS				
APPROVAL	WCHENG	APR./30th/24	MATERIAL	WEIGHT	SCALE	REV	
FOR INFORMATION ONLY NOT FOR MANUFACTURING PURPOSES			D-ZLAF52LA	1.47g	5:1	A	