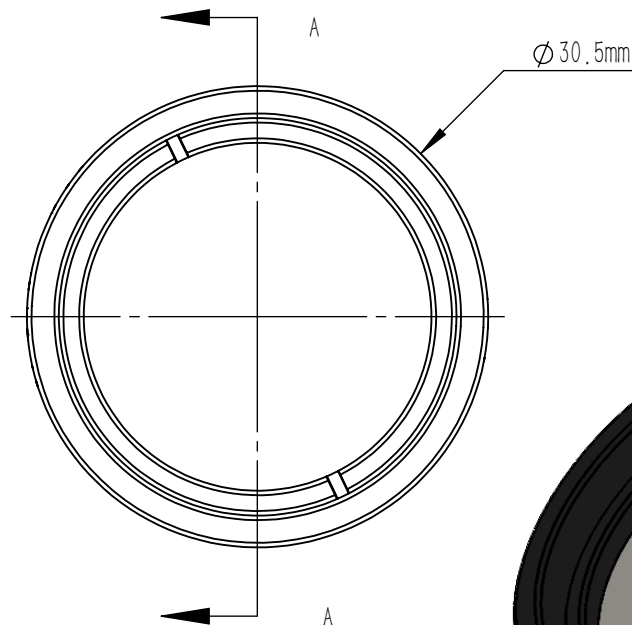
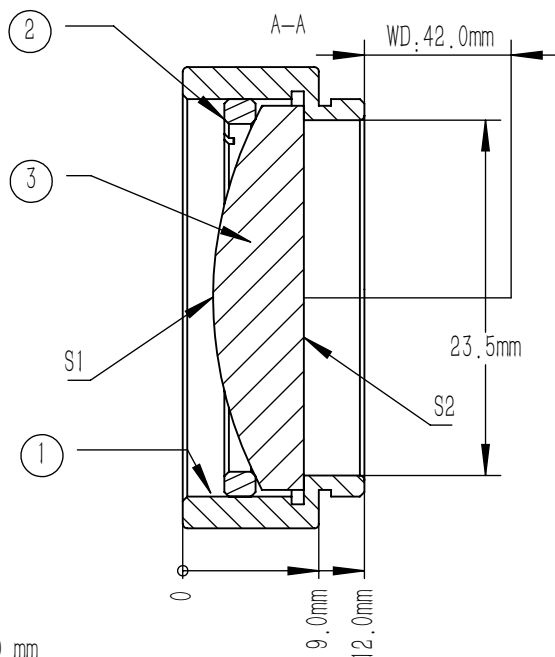


	R	K	A4	A6	A8
S1	25.56	-1.01	3.2703958e-6	7.7205335e-10	1.6304727e-13
S2	∞	-	-	-	-

$$z = \frac{Y^2}{R(1 + \sqrt{1 - (1+k)Y^2/R^2})} + A_4Y^4 + A_6Y^6 + A_8Y^8$$

	Part Description	Material
①	MAC1610-A-EVA	ANODIZED ALUMINUM
②	SM1R	ANODIZED ALUMINUM
③	AC1610-A	N-BK7



NOTES:

- DESIGN WAVELENGTH: 780.0 nm
- NUMERICAL APERTURE: 0.22
- FOCAL LENGTH: 50.0 mm ± 1 %
- BACK FOCAL LENGTH(REF): 46.0 mm
- CLEAR APERTURE: >90 %CA
- DIAMETER TOLERANCE: +0.0/-0.1 mm
- THICKNESS TOLERANCE: ±0.1 mm
- CHAMFER: 0.2 mm, 45 °
- WAVEFRONT ERROR(RMS): <0.5 μm
- SAG DEVIATION(POWER, S1): ±7.5 μm
- SURFACE IRREGULARITY(S1): <3 FRINGES
- SURFACE FLATNESS(S2): λ/4
- SURFACE QUALITY(S1, S2): 60/40 (S/D)
- CENTRATION: <3 arcmin
- DAMAGE THRESHOLD: 9 J/cm²@532 nm, 10 ns, 10 HZ, Ø0.504 mm
- AR COATING(S1, S2): Ravg<0.5 %@400-700 nm, 6° AOI

DRAWING PROJECTION			LBTEK			
	NAME	DATE				
DRAWN	SHAN	APR./19th/24	ASPHERIC LENS			
APPROVAL	WCHENG	APR./19th/24	MATERIAL	WEIGHT	SCALE	REV
FOR INFORMATION ONLY NOT FOR MANUFACTURING PURPOSES			N-BK7	35.27 g	2:1	B