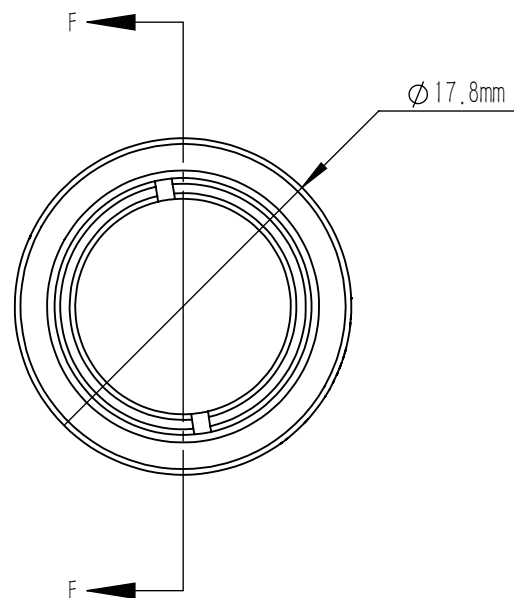


ASPHERIC COEFFICIENTS

	R	K	A4	A6	A8	A10	A12	A14	A16
S1	12.78	-0.6	1.843e-06	-3.817e-09	-2.435e-11	3.173e-14	-3.700e-15	6.511e-17	-4.960e-19
S2	∞	-	-	-	-				

ASPHERIC LENS EQUATION

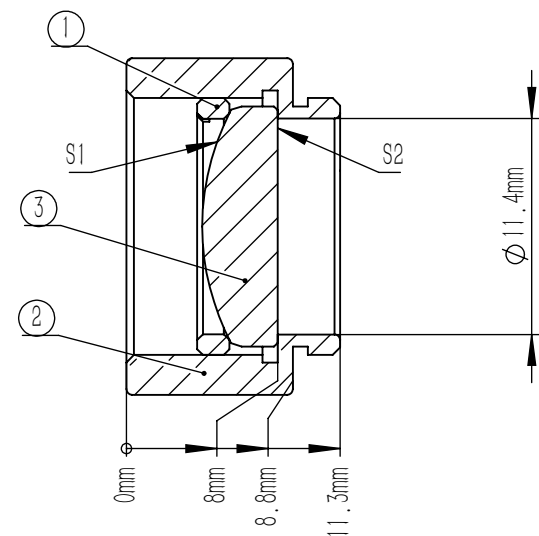
$$Z = \frac{Y^2}{R(1 + \sqrt{1 - (1 + K)Y^2 / R^2})} + A_4Y^4 + A_6Y^6 + A_8Y^8 + A_{10}Y^{10} + A_{12}Y^{12} + A_{14}Y^{14} + A_{16}Y^{16}$$



NOTES

- DESIGN WAVELENGTH: 780.0 nm
- NUMERICAL APERTURE: 0.22
- FOCAL LENGTH: 25.0 mm $\pm 1\%$
- BACK FOCAL LENGTH(REF): 22.4 mm
- CLEAR APERTURE: $>90\%$ CA
- DIAMETER TOLERANCE: $+0.0/-0.1$ mm
- THICKNESS TOLERANCE: ± 0.1 mm
- CHAMFER: 0.2 mm, 45°
- WAVEFRONT ERROR(RMS): $< 0.5 \mu\text{m}$
- SURFACE POWER(S1): $\pm 7.5 \mu\text{m}$
- SURFACE IRREGULARITY(S1): < 3 FRINGES
- SURFACE FLATNESS(S2): $\lambda/4@633$ nm
- SURFACE QUALITY(S1,S2): 60/40 (S/D)
- CENTRATION: < 3 arcmin
- AR COATING(S1,S2): UNCOATED

剖面 F-F



	Part Description	Material
①	SM1R	ANODIZED ALUMINUM
②	SM1-8A	ANODIZED ALUMINUM
③	AC1909	N-BK7 or Equivalent Materials

DRAWING PROJECTION			LBTEK			
NAME	DATE	MAC1909				
DRAWN	ZLIN	NOV./15th/25	ASPHERIC LENS			
APPROVAL	WCHENG	NOV./15th/25	MATERIAL	WEIGHT	SCALE	REV
FOR INFORMATION ONLY NOT FOR MANUFACTURING PURPOSES			N-BK7	8.82 g	2.5:1	A