

ASPHERIC LENS EQUATION

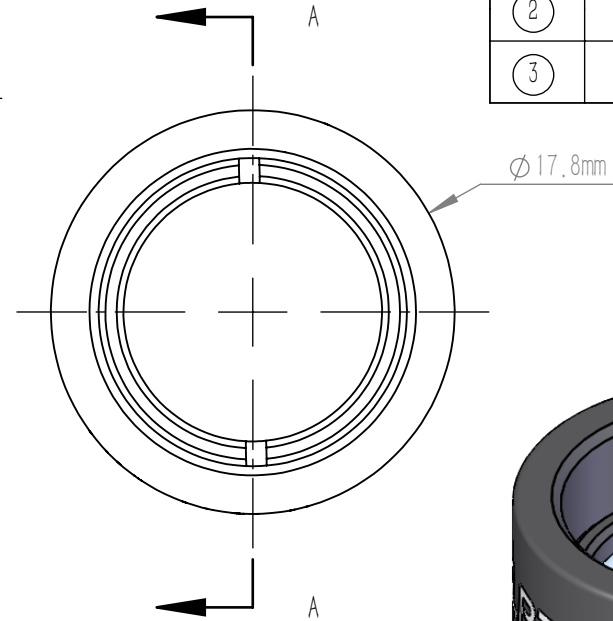
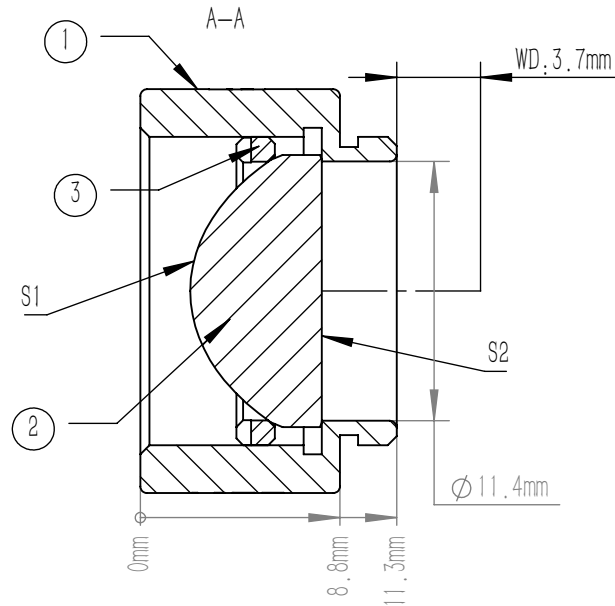
	R	k	A4
S1	5.492	-0.6230	8.7E-05
S2	PLANO	-	-

ASPHERIC COEFFICIENTS

$$z = \frac{Y^2}{R(1 + \sqrt{1 - (1+k)Y^2/R^2})} + A_4 Y^4$$

NOTE

- DESIGN WAVELENGTH: 633.0 nm
- CLEAR APERTURE: >90%CA
- OPERATION WAVELENGTH: 400 nm-700 nm
- NA: 0.54
- F/#: 0.97
- DIAMETER TOLERANCE: +0.0/-0.5 mm
- THICKNESS TOLERANCE: ±0.3 mm
- FOCAL LENGTH: 10.5 mm±8%
- BACK FOCAL LENGTH(REF): 7.0 mm
- SURFACE QUALITY(S1,S2): 80/50 (S/D)
- SURFACE FLATNESS(S2): λ/2@632.8 nm
- CENTRATION: <30 arcmin
- CHAMFER: <0.2 mm, 45°
- COATING (S1,S2) : AR COATING Ravg<0.5%@400 nm-700 nm



	PART DESCRIPTION	MATERIAL
①	SM05-8A	ANODIZED ALUMINIUM
②	AC4202-A	B270
③	SM05R	ANODIZED ALUMINIUM

DRAWING PROJECTION			LBTEK			
	NAME	DATE	MAC4202-A			
DRAWN	BSHU	Aug./5th/24	Ø 12.0 mm, F=10.5 mm, NA=0.54 ASPHERIC CONDENSER LENS AR COATING 400-700 nm			
APPROVAL	WCHENG	Aug./5th/24	MATERIAL	WEIGHT	SCALE	REV
FOR INFORMATION ONLY NOT FOR MANUFACTURING PURPOSES			B270	9.51 g	2:1	B