

ASPHERIC LENS EQUATION

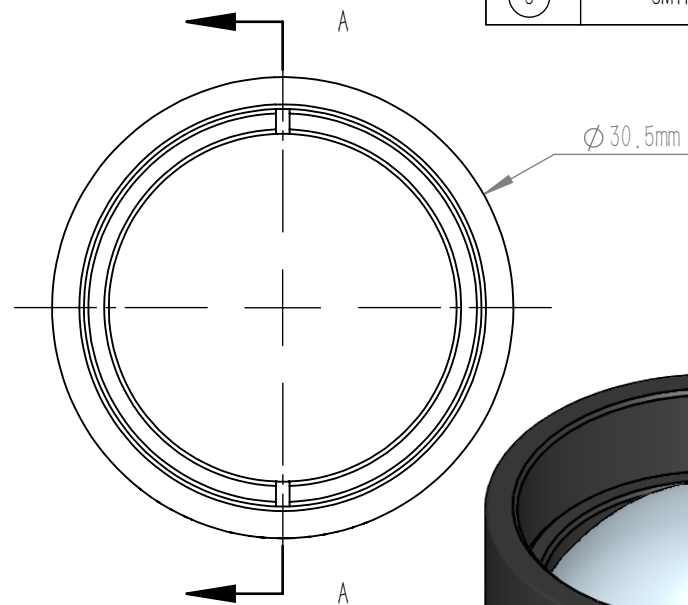
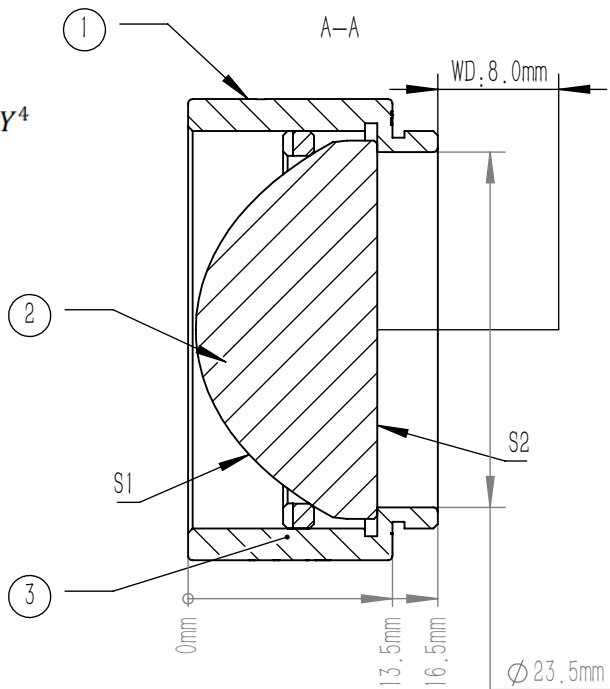
	R	k	A4
S1	10.462	-0.6265	1.5E-05
S2	PLANO	-	-

ASPHERIC COEFFICIENTS

$$z = \frac{Y^2}{R(1 + \sqrt{1 - (1 + k)Y^2/R^2})} + A_4 Y^4$$

NOTE

- DESIGN WAVELENGTH: 633.0 nm
- CLEAR APERTURE: >90%CA
- OPERATION WAVELENGTH: 400 nm-700 nm
- NA: 0.60
- F/#: 0.89
- DIAMETER TOLERANCE: +0.0/-0.5 mm
- THICKNESS TOLERANCE: ±0.3 mm
- FOCAL LENGTH: 20.1 mm±8%
- BACK FOCAL LENGTH(REF): 12.0 mm
- SURFACE QUALITY(S1,S2): 80/50 (S/D)
- SURFACE FLATNESS(S2): λ/2@632.8 nm
- CENTRATION: <30 arcmin
- CHAMFER: <0.2 mm,45°
- COATING (S1,S2) : AR COATING Ravg<0.5%@400 nm-700 nm



	PART DESCRIPTION	MATERIAL
①	SM1-12.5A	ANODIZED ALUMINIUM
②	AC4606-A	B270
③	SM1R	ANODIZED ALUMINIUM

DRAWING PROJECTION			LBTEK			
NAME		DATE				
DRAWN	BSHU	Aug./5th/24	∅ 25.0 mm, F=20.1 mm, NA=0.60 ASPHERIC CONDENSER LENS AR COATING 400-700 nm			
APPROVAL	WCHENG	Aug./5th/24	MATERIAL	WEIGHT	SCALE	REV
FOR INFORMATION ONLY NOT FOR MANUFACTURING PURPOSES			B270	33.73g	2:1	B