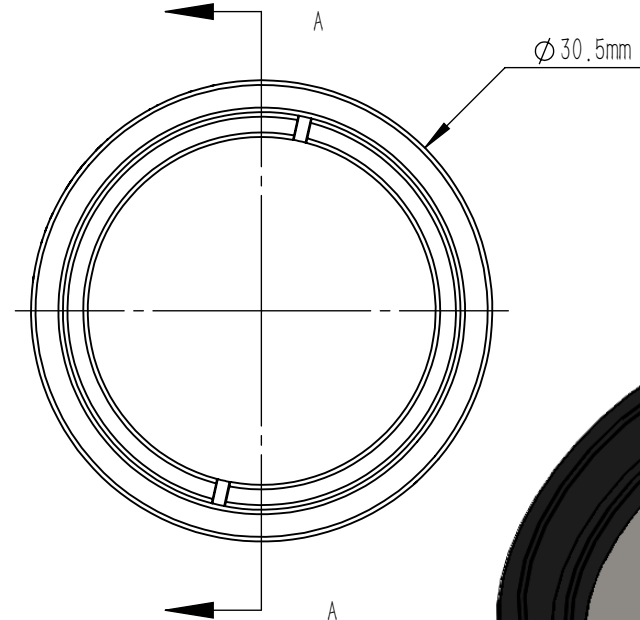
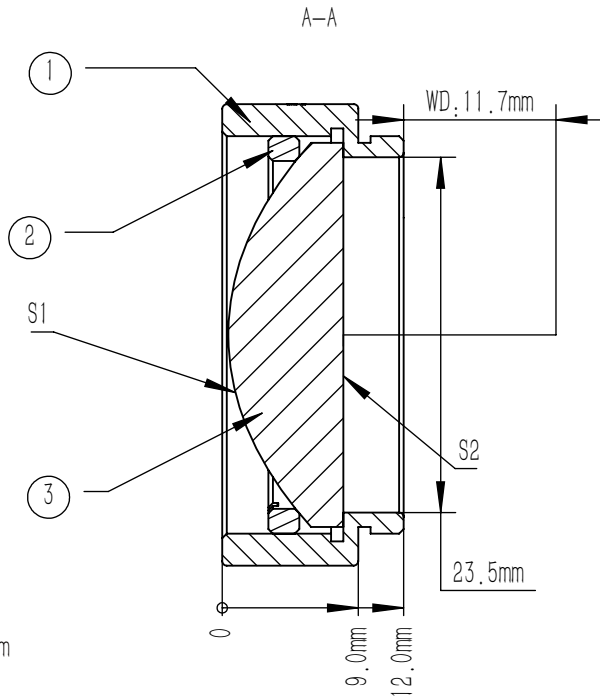


	R	k	A4	A6	A8	A10	A12	A14	A16
S1	15.54	-1.35	2.3618134e-05	-1.1303079e-08	-1.1113906e-11	-2.3981714e-14	3.035791e-17	1.3660815e-19	-1.8881587e-22
S2	INFINITE	-	-	-	-	-	-	-	-

$$z = \frac{Y^2}{R(1 + \sqrt{1 - (1+k)Y^2/R^2})} + A_4Y^4 + A_6Y^6 + A_8Y^8 + A_{10}Y^{10} + A_{12}Y^{12} + A_{14}Y^{14} + A_{16}Y^{16}$$

	Part Description	Material
①	MAC7606-A-EVA	ANODIZED ALUMINUM
②	SM1R	ANODIZED ALUMINUM
③	AC7606-A	S-LAH64



NOTES:

- DESIGN WAVELENGTH: 780.0 nm
- NUMERICAL APERTURE: 0.50
- FOCAL LENGTH: 20.0 mm ± 1 %
- BACK FOCAL LENGTH(REF): 15.7 mm
- CLEAR APERTURE: >90 %CA
- DIAMETER TOLERANCE: +0.0/-0.1 mm
- THICKNESS TOLERANCE: ±0.1 mm
- CHAMFER: 0.2 mm, 45 °
- WAVEFRONT ERROR(RMS): <0.5 μm
- SAG DEVIATION(POWER, S1): ±7.5 μm
- SURFACE IRREGULARITY(S1): <3 FRINGES
- SURFACE FLATNESS(S2): λ/4
- SURFACE QUALITY(S/D): 60/40 (S/D)
- CENTRATION: <3 arcmin
- DAMAGE THRESHOLD: 6 J/cm²@532 nm, 10 ns, 10 HZ, Ø0.345 mm
- AR COATING(S1, S2): Ravg<0.5 %@400-700 nm, 6° AOI

DRAWING PROJECTION			LBTEK			
NAME	DATE	MAC7606-A				
DRAWN	SHAN	APR./19th/24	ASPHERIC LENS			
APPROVAL	WCHENG	APR./19th/24	MATERIAL	WEIGHT	SCALE	REV
FOR INFORMATION ONLY NOT FOR MANUFACTURING PURPOSES			S-LAH64	37.29g	2:1	B