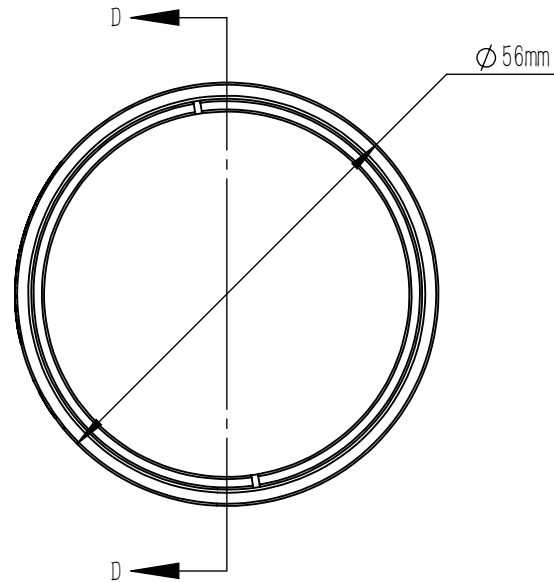


ASPHERIC COEFFICIENTS	R	K	A4	A6	A8	A10	A12	A14	A16
S1	31.075	-0.744	4.367e-07	-2.271e-10	-1.704e-13	-3.681e-17	8.944e-21	1.850e-23	-6.270e-27
S2	∞	-	-	-	-	-	-	-	-

ASPHERIC LENS EQUATION

$$Z = \frac{Y^2}{R(1 + \sqrt{1 - (1 + K)Y^2 / R^2})} + A_4Y^4 + A_6Y^6 + A_8Y^8 + A_{10}Y^{10} + A_{12}Y^{12} + A_{14}Y^{14} + A_{16}Y^{16}$$

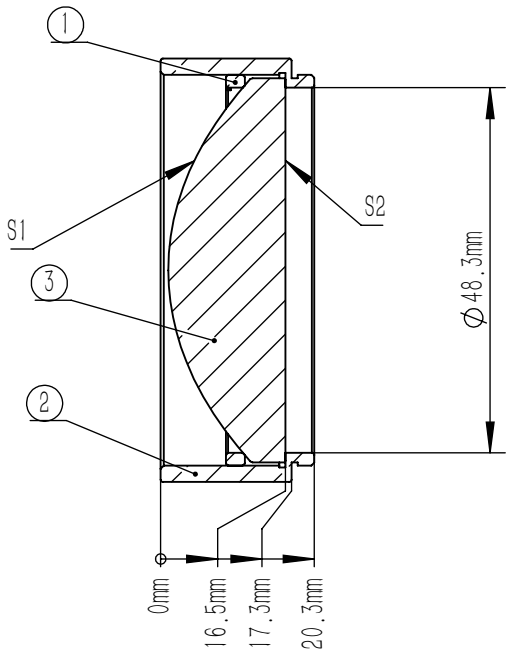


NOTES

- DESIGN WAVELENGTH: 780.0 nm
- NUMERICAL APERTURE: 0.50
- FOCAL LENGTH: 40.0 mm ±1%
- BACK FOCAL LENGTH(REF): 31.3 mm
- CLEAR APERTURE: >90%CA
- DIAMETER TOLERANCE: +0.0/-0.1 mm
- THICKNESS TOLERANCE: ±0.1 mm
- CHAMFER: 0.2 mm, 45°
- WAVEFRONT ERROR(RMS): <0.5 μm
- SURFACE POWER(S1): ±7.5 μm
- SURFACE IRREGULARITY(S1): <3 FRINGES
- SURFACE FLATNESS(S2): λ/4@633 nm
- SURFACE QUALITY(S1, S2): 60/40 (S/D)
- CENTRATION: <3 arcmin
- AR COATING(S1, S2): Ravg<0.5 %@1050 nm-1700 nm, 6° AOI, Single Surface

	Part Description	Material
①	SM2R	ANODIZED ALUMINUM
②	SM2-16.5A	ANODIZED ALUMINUM
③	AC7807-C	S-LAH64 or Equivalent Materials

剖面 D-D



DRAWING PROJECTION							
	NAME	DATE	MAC7807-C				
DRAWN	ZLIN	NOV./15th/25	ASPHERIC LENS				
APPROVAL	WCHENG	NOV./15th/25	MATERIAL	WEIGHT	SCALE	REV	
FOR INFORMATION ONLY NOT FOR MANUFACTURING PURPOSES			S-LAH64	32.64 g	1:1	A	