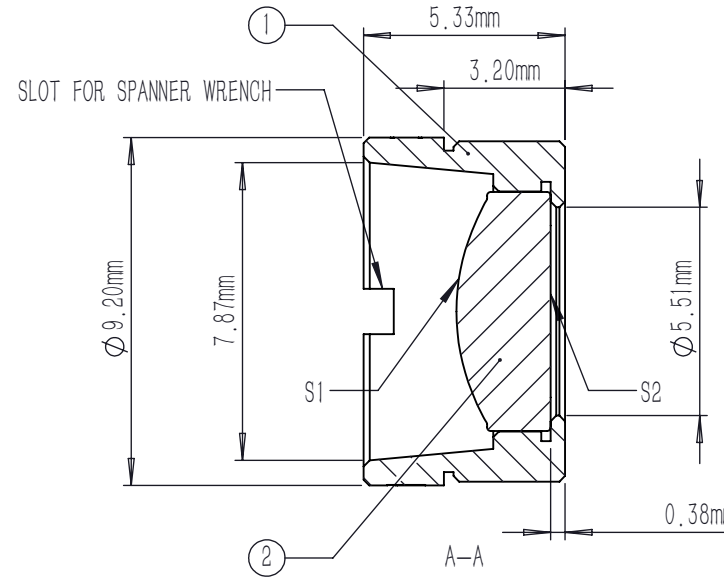
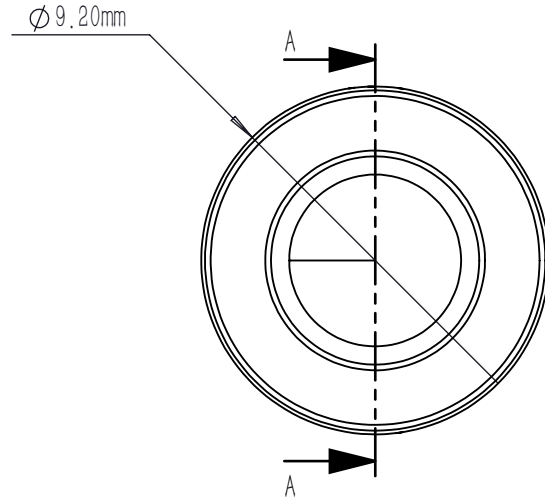


	TYPE	SHAPE	CA	R	k	A4	A6	A8	A10	A12	A14	A16
S1	ASPHERE	CX	Ø 5.20	5.609928	-0.567434	-2.387921E-7	-7.569886E-7	-1.692256E-8	-2.305947E-10	0	0	0
S2	PLANO	PL	Ø 5.13	PLANO	0	0	0	0	0	0	0	0

$$Z = \frac{Y^2}{R(1 + \sqrt{1 - (1 + K)Y^2 / R^2})} + \sum_i A_{2i} r^{2i}$$



NOTES:

- MATERIAL: D-ZK3
- DESIGN WAVELENGTH: 633 nm
- WORKING WAVELENGTH: 1000 nm-1700 nm
- CLEAR APERTURE: (S1) Ø 5.20 mm, (S2) Ø 5.13 mm
- NUMERICAL APERTURE: 0.7
- FOCAL LENGTH: 9.6 mm
- FOCAL LENGTH TOLERANCE: ±1.0 %
- BACK FOCAL LENGTH(REF): bf=8.1 mm
- DIAMETER TOLERANCE: ±0.015 mm
- THICKNESS TOLERANCE: ±0.05 mm
- CHAMFER: 0.2 mm, 45 °
- SURFACE QUALITY: 40-20 SCRATCH-DIG
- CENTRATION: <30 arcmin
- MAXIMUM TEMPERATURE: 250 °C(482 °F)
- AR COATING(S1,S2): Ravg<0.5 %@1000-1700 nm

	PART DESCRIPTION	MATERIAL
①	LENS MOUNT	303 STAINLESS STEEL
②	AC90657-C	D-ZK3

DRAWING PROJECTION							
	NAME	DATE	MAC90657-C				
DRAWN	SHAN	APR./30th/24	ASPHERIC CONDENSER LENS				
APPROVAL	WCHENG	APR./30th/24	MATERIAL	WEIGHT	SCALE	REV	
FOR INFORMATION ONLY NOT FOR MANUFACTURING PURPOSES			D-ZK3	1.19g	5:1	A	