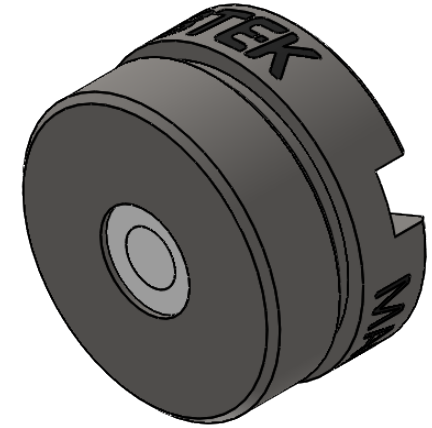
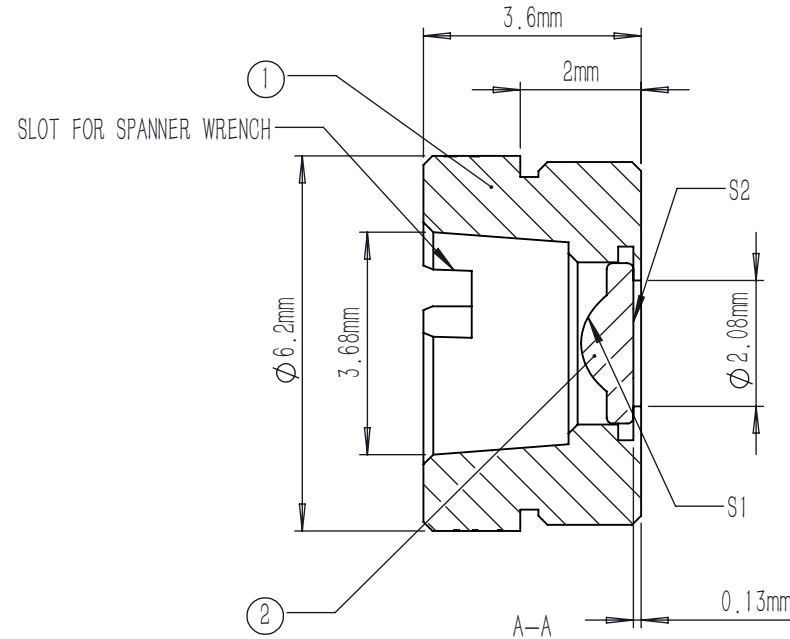
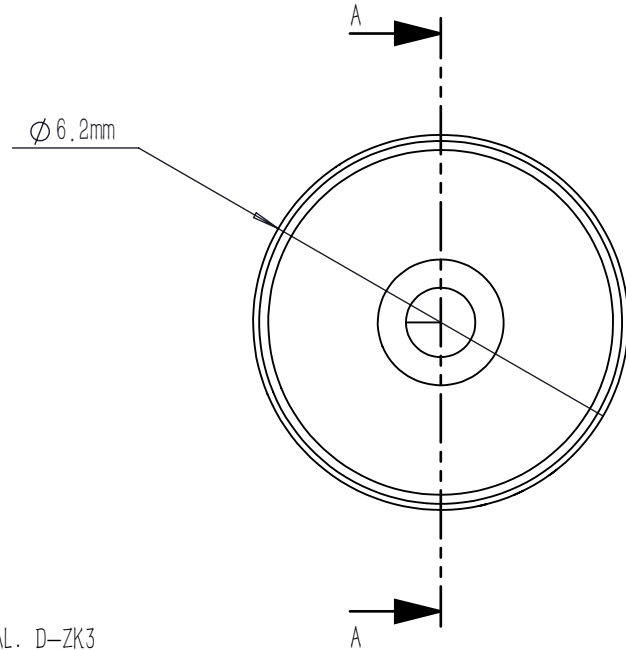


| | TYPE | SHAPE | CA | R | k | A4 | A6 | A8 | A10 | A12 | A14 | A16 |
|----|---------|-------|--------|----------|-----------|--------------|--------------|--------------|-------------|--------------|-----|-----|
| S1 | ASPHERE | CX | ∅ 1.50 | 0.845899 | -0.477634 | -6.313588E-3 | -9.394961E-3 | -1.707675E-2 | 8.070223E-3 | -2.139445E-2 | 0 | 0 |
| S2 | PLANO | PL | ∅ 1.15 | PLANO | 0 | 0 | 0 | 0 | 0 | 0 | 0 | 0 |

$$Z = \frac{Y^2}{R(1 + \sqrt{1 - (1 + K)Y^2 / R^2})} + \sum_i A_{2i} r^{2i}$$



NOTES:

- MATERIAL: D-ZK3
- DESIGN WAVELENGTH: 1550 nm
- WORKING WAVELENGTH: 350 nm-700 nm
- CLEAR APERTURE: (S1) ∅ 1.50 mm, (S2) ∅ 1.15 mm
- NUMERICAL APERTURE: 0.5
- FOCAL LENGTH: 1.5 mm
- FOCAL LENGTH TOLERANCE: ±1.0 %
- BACK FOCAL LENGTH(REF): bf=1.0 mm
- DIAMETER TOLERANCE: ±0.015 mm
- THICKNESS TOLERANCE: ±0.03 mm
- CHAMFER: 0.2 mm, 45 °
- SURFACE QUALITY: 40-20 SCRATCH-DIG
- CENTRATION: <30 arcmin
- MAXIMUM TEMPERATURE: 250 °C(482 °F)
- AR COATING(S1,S2): Ravg<0.5 %@350-700 nm

| | PART DESCRIPTION | MATERIAL |
|---|------------------|---------------------|
| ① | LENS MOUNT | 303 STAINLESS STEEL |
| ② | AC90951-A | D-ZK3 |

| DRAWING PROJECTION | | | | LBTEK | | | |
|--|--------|--------------|-------------------------|--------------|-------|-----|--|
| | NAME | DATE | MAC90951-A | | | | |
| DRAWN | SHAN | APR./30th/24 | ASPHERIC CONDENSER LENS | | | | |
| APPROVAL | WCHENG | APR./30th/24 | MATERIAL | WEIGHT | SCALE | REV | |
| FOR INFORMATION ONLY NOT FOR MANUFACTURING PURPOSES | | | D-ZK3 | 0.56g | 8:1 | A | |