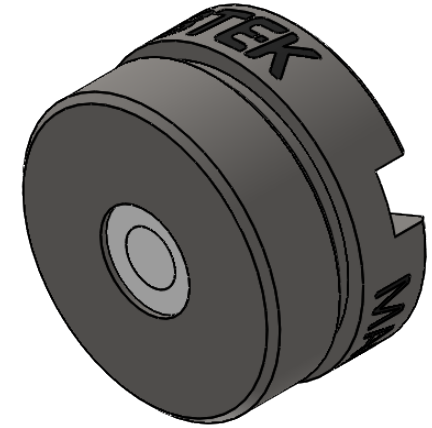
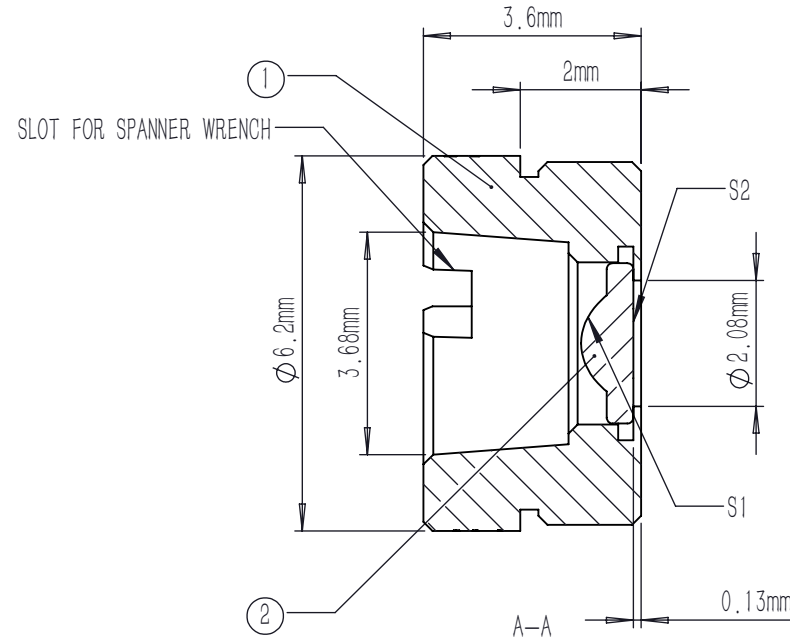
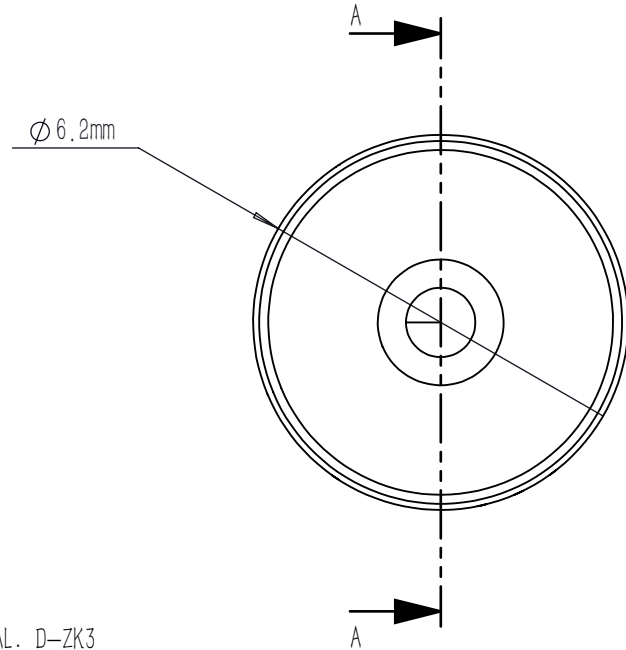


	TYPE	SHAPE	CA	R	k	A4	A6	A8	A10	A12	A14	A16
S1	ASPHERE	CX	∅ 1.50	0.845899	-0.477634	-6.313588E-3	-9.394961E-3	-1.707675E-2	8.070223E-3	-2.139445E-2	0	0
S2	PLANO	PL	∅ 1.15	PLANO	0	0	0	0	0	0	0	0

$$Z = \frac{Y^2}{R(1 + \sqrt{1 - (1 + K)Y^2 / R^2})} + \sum_i A_{2i} r^{2i}$$



NOTES:

1. MATERIAL: D-ZK3
2. DESIGN WAVELENGTH: 1550 nm
3. WORKING WAVELENGTH: 600 nm-1050 nm
4. CLEAR APERTURE: (S1) ∅ 1.50 mm, (S2) ∅ 1.15 mm
5. NUMERICAL APERTURE: 0.5
6. FOCAL LENGTH: 1.5 mm
7. FOCAL LENGTH TOLERANCE: ±1.0 %
8. BACK FOCAL LENGTH(REF): bf=1.0 mm
9. DIAMETER TOLERANCE: ±0.015 mm
10. THICKNESS TOLERANCE: ±0.03 mm
11. CHAMFER: 0.2 mm, 45 °
12. SURFACE QUALITY: 40-20 SCRATCH-DIG
13. CENTRATION: <30 arcmin
14. MAXIMUM TEMPERATURE: 250 °C(482 °F)
15. AR COATING(S1,S2): Ravg<0.5 %@600-1050 nm

	PART DESCRIPTION	MATERIAL
①	LENS MOUNT	303 STAINLESS STEEL
②	AC90951-B	D-ZK3

DRAWING PROJECTION				LBTEK			
	NAME	DATE	MAC90951-B				
DRAWN	SHAN	APR./30th/24	ASPHERIC CONDENSER LENS				
APPROVAL	WCHENG	APR./30th/24	MATERIAL	WEIGHT	SCALE	REV	
FOR INFORMATION ONLY NOT FOR MANUFACTURING PURPOSES			D-ZK3	0.56g	8:1	A	