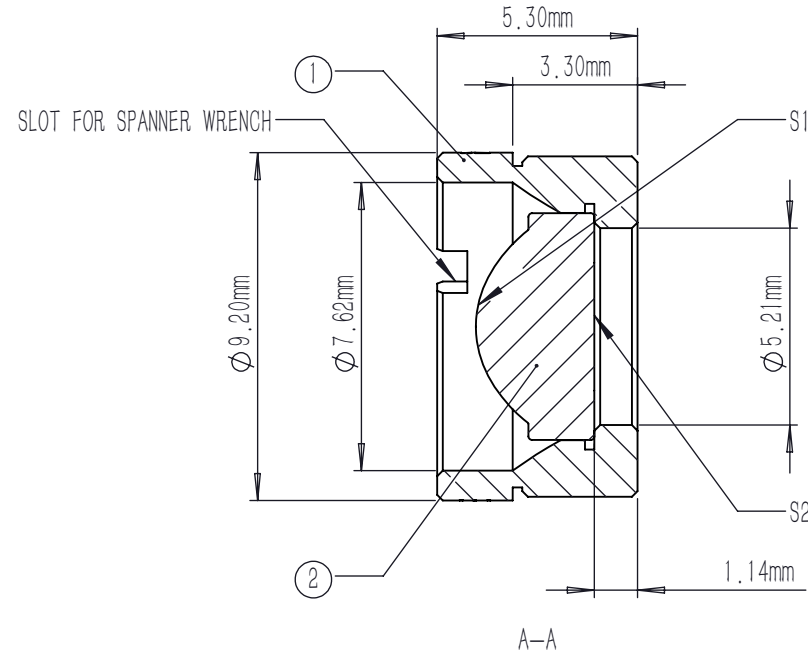
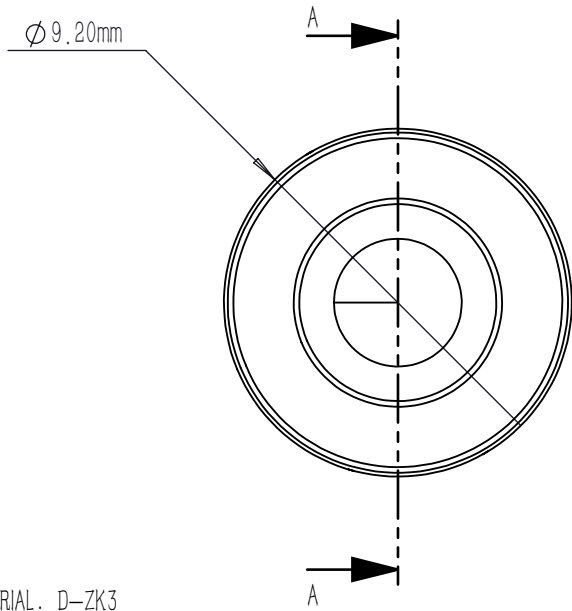
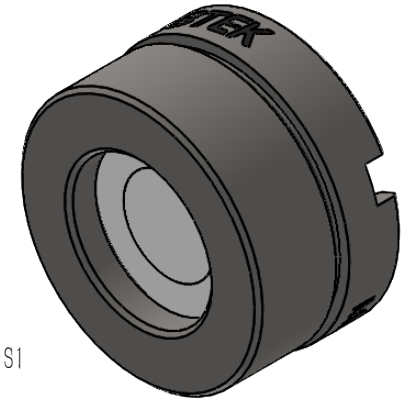


	TYPE	SHAPE	CA	R	k	A4	A6	A8	A10	A12	A14	A16
S1	ASPHERE	CX	∅4.80	2.684150	-0.517612	5.980307E-5	-1.527613E-5	-3.647708E-6	1.381275E-7	-4.485638E-8	0	0
S2	PLANO	PL	∅3.38	PLANO	0	0	0	0	0	0	0	0

$$Z = \frac{Y^2}{R(1 + \sqrt{1 - (1 + K)Y^2 / R^2})} + \sum_i A_{2i} r^{2i}$$



NOTES:

- MATERIAL: D-ZK3
- DESIGN WAVELENGTH: 655 nm
- WORKING WAVELENGTH: 600 nm-1050 nm
- CLEAR APERTURE: (S1) ∅4.80 mm, (S2) ∅3.38 mm
- NUMERICAL APERTURE: 0.5
- FOCAL LENGTH: 4.6 mm
- FOCAL LENGTH TOLERANCE: ±1.0 %
- BACK FOCAL LENGTH(REF): bf=2.7 mm
- DIAMETER TOLERANCE: ±0.015 mm
- THICKNESS TOLERANCE: ±0.02 mm
- CHAMFER: 0.2 mm, 45 °
- SURFACE QUALITY: 40-20 SCRATCH-DIG
- CENTRATION: <30 arcmin
- MAXIMUM TEMPERATURE: 250 °C(482 °F)
- AR COATING(S1,S2): Ravg<0.5 %@600-1050 nm

	PART DESCRIPTION	MATERIAL
①	LENS MOUNT	303 STAINLESS STEEL
②	AC91213-B	D-ZK3

DRAWING PROJECTION				LBTEK					
		NAME		DATE		MAC91213-B			
DRAWN		SHAN		APR./30th/24		ASPHERIC CONDENSER LENS			
APPROVAL		WCHENG		APR./30th/24		MATERIAL	WEIGHT	SCALE	REV
FOR INFORMATION ONLY NOT FOR MANUFACTURING PURPOSES						D-ZK3	1.37g	5:1	A