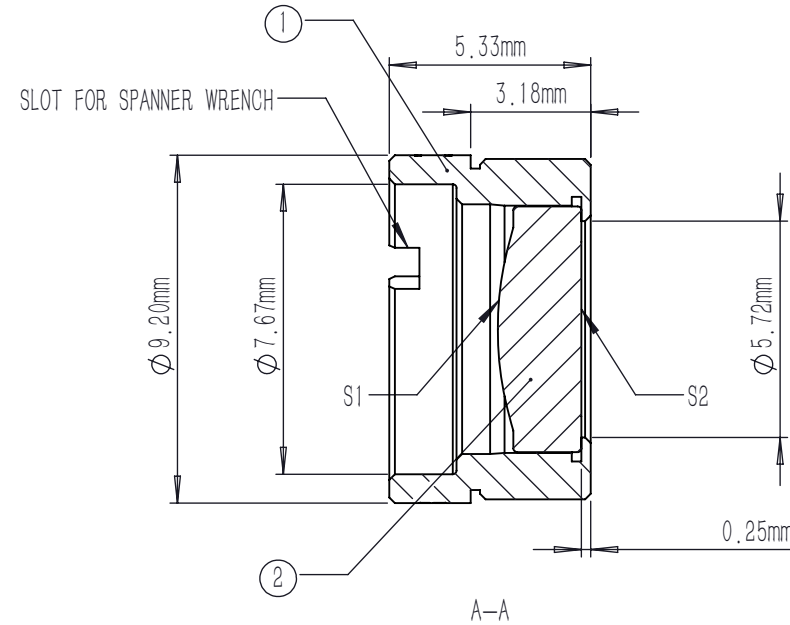
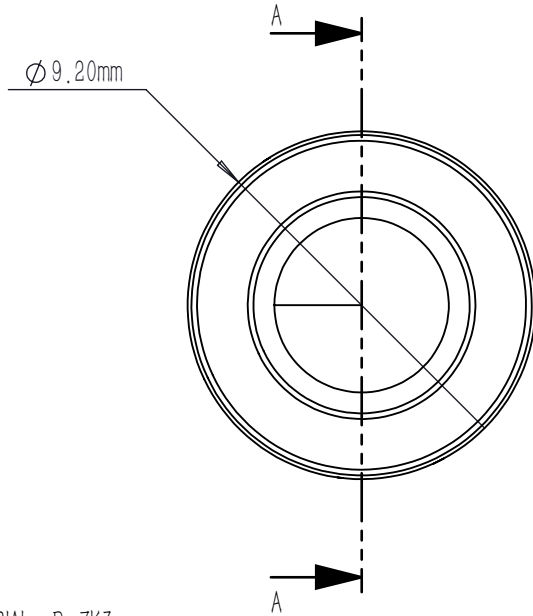
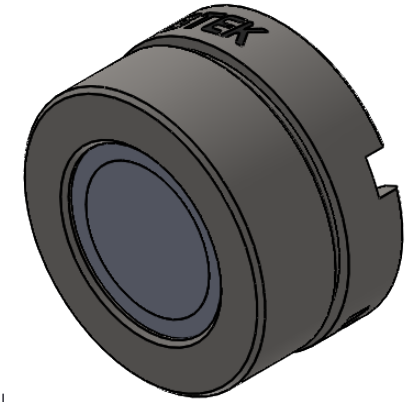


	TYPE	SHAPE	CA	R	k	A4	A6	A8	A10	A12	A14	A16
S1	ASPHERE	CX	∅5.00	8.864614	-0.543613	-6.831210E-6	-1.176458E-7	-9.091049E-10	0	0	0	0
S2	PLANO	PL	∅4.61	PLANO	0	0	0	0	0	0	0	0


$$Z = \frac{Y^2}{R(1 + \sqrt{1 - (1 + K)Y^2 / R^2})} + \sum_i A_{2i} r^{2i}$$



NOTES:

- MATERIAL: D-ZK3
- DESIGN WAVELENGTH: 780 nm
- WORKING WAVELENGTH: 290 nm-2400 nm
- CLEAR APERTURE: (S1) ∅5.00 mm, (S2) ∅4.61 mm
- NUMERICAL APERTURE: 0.2
- FOCAL LENGTH: 15.3 mm
- FOCAL LENGTH TOLERANCE: ±1.0 %
- BACK FOCAL LENGTH(REF): bf=14.0 mm
- DIAMETER TOLERANCE: ±0.015 mm
- THICKNESS TOLERANCE: ±0.04 mm
- CHAMFER: 0.2 mm, 45 °
- SURFACE QUALITY: 40-20 SCRATCH-DIG
- CENTRATION: <30 arcmin
- MAXIMUM TEMPERATURE: 250 °C(482 °F)
- AR COATING: UNCOATED

	PART DESCRIPTION	MATERIAL
①	LENS MOUNT	303 STAINLESS STEEL
②	AC91536	D-ZK3

DRAWING PROJECTION		 <b>LBTEK</b>				
NAME	DATE					MAC91536
DRAWN	SHAN	APR./30th/24	ASPHERIC CONDENSER LENS			
APPROVAL	WCHENG	APR./30th/24	MATERIAL	WEIGHT	SCALE	REV
FOR INFORMATION ONLY NOT FOR MANUFACTURING PURPOSES			D-ZK3	1.28g	5:1	A