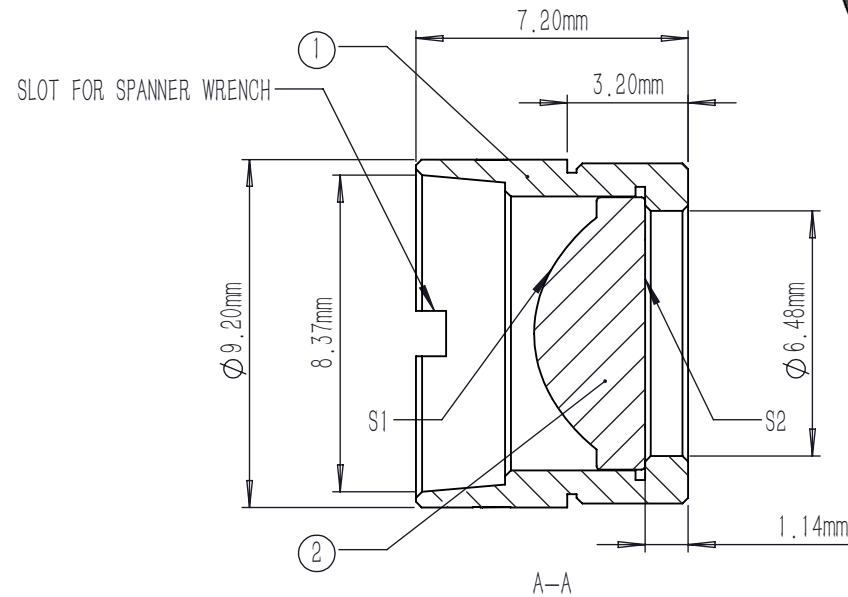
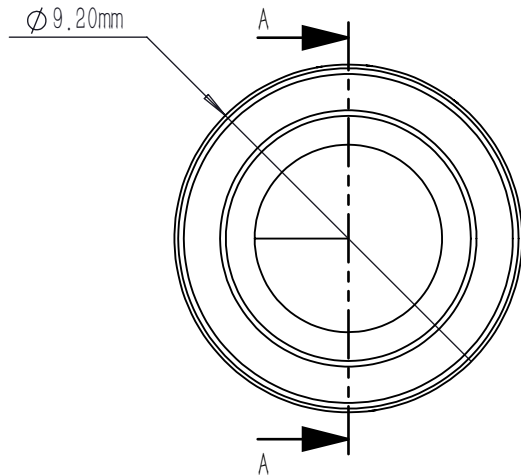
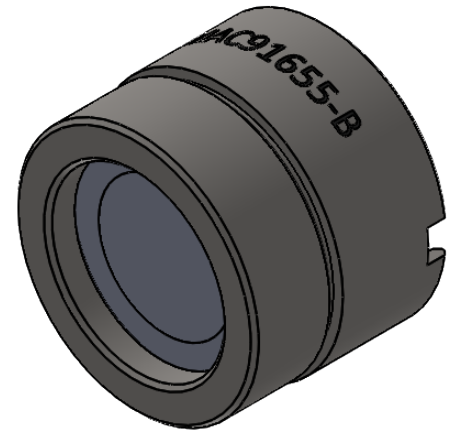


	TYPE	SHAPE	CA	R	k	A4	A6	A8	A10	A12	A14	A16
S1	ASPHERE	CX	Ø 6.00	3.214021	-1.455302	3.487830E-3	-7.548417E-6	1.334310E-6	-1.829706E-8	-6.912930E-10	0	0
S2	PLANO	PL	Ø 4.96	PLANO	0	0	0	0	0	0	0	0

$$Z = \frac{Y^2}{R(1 + \sqrt{1 - (1 + K)Y^2 / R^2})} + \sum_i A_{2i} r^{2i}$$



NOTES:

1. MATERIAL: D-ZK3
2. DESIGN WAVELENGTH: 633 nm
3. WORKING WAVELENGTH: 600 nm-1050 nm
4. CLEAR APERTURE: (S1) Ø 6.00 mm, (S2) Ø 4.96 mm
5. NUMERICAL APERTURE: 0.6
6. FOCAL LENGTH: 5.5 mm
7. FOCAL LENGTH TOLERANCE: ±1.0 %
8. BACK FOCAL LENGTH(REF): bf=3.7 mm
9. DIAMETER TOLERANCE: ±0.015 mm
10. THICKNESS TOLERANCE: ±0.03 mm
11. CHAMFER: 0.2 mm, 45 °
12. SURFACE QUALITY: 40-20 SCRATCH-DIG
13. CENTRATION: <30 arcmin
14. MAXIMUM TEMPERATURE: 250 °C(482 °F)
15. AR COATING(S1,S2): Ravg<0.5 %@600-1050 nm

	PART DESCRIPTION	MATERIAL
①	LENS MOUNT	303 STAINLESS STEEL
②	AC91655-B	D-ZK3

DRAWING PROJECTION				<h1 style="color: red; margin: 0;">LBTEK</h1>			
	NAME	DATE	MAC91655-B				
DRAWN	SHAN	APR./30th/24	ASPHERIC CONDENSER LENS				
APPROVAL	WCHENG	APR./30th/24	MATERIAL	WEIGHT	SCALE	REV	
FOR INFORMATION ONLY NOT FOR MANUFACTURING PURPOSES			D-ZK3	1.40g	5:1	A	