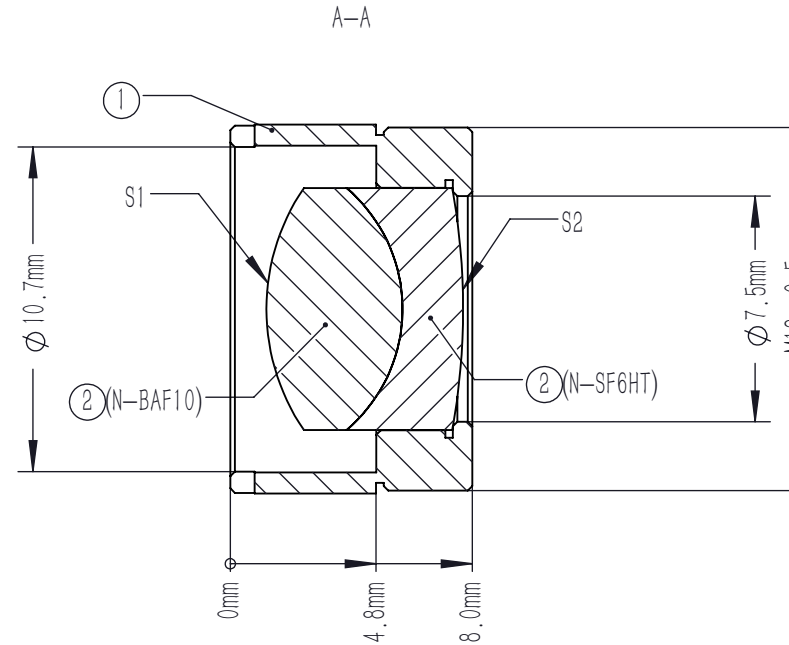
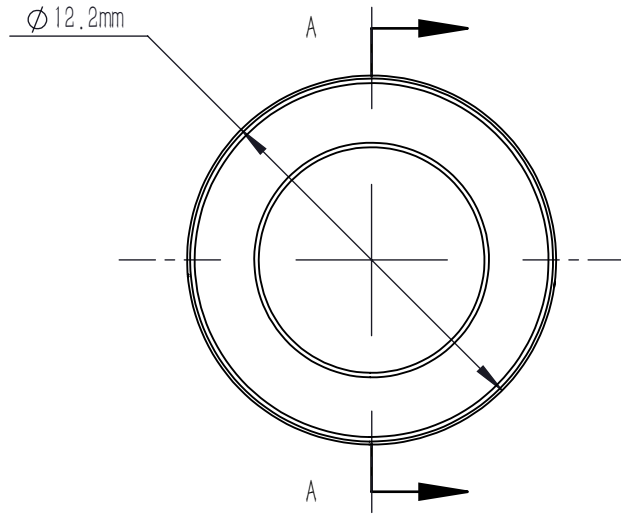


	PART DESCRIPTION	MATERIAL
①	LENS MOUNT	303 STAINLESS STEEL
②	AD201-A	N-BAF10
		N-SF6HT



NOTES

1. MATERIAL: N-BAF10/N-SF6HT
2. DESIGN WAVELENGTH: 486.1 nm, 587.6 nm, 656.3 nm
3. CLEAR APERTURE: >90%CA
4. OPERATION WAVELENGTH: 400 nm-700 nm
5. DIAMETER TOLERANCE: +0.0/-0.1 mm
6. THICKNESS TOLERANCE: ±0.2 mm
7. FOCAL LENGTH: 10.0 mm ±1% @ 587.6 nm
8. BACK FOCAL LENGTH(REF): 6.7 mm
9. SURFACE QUALITY (S/D) (S1,S2) : 40/20
10. SURFACE POWER (S1,S2) : $3\lambda/2 @ 632.8 \text{ nm}$
11. SURFACE IRREGULARITY(S1,S2): $\lambda/4 @ 632.8 \text{ nm}$
12. CENTRATION: <3 arcmin
13. CHAMFER: <0.2 mm, 45°
14. AR COATING (S1,S2) : $R_{avg} < 0.5\% @ 400 \text{ nm}-700 \text{ nm}$ (6° AOI, single)

DRAWING PROJECTION			LBTEK			
		NAME	DATE	MAD201-A		
DRAWN	SHAN	MAY./7th/25	ACHROMATIC DOUBLETS			
APPROVAL	WCHENG	MAY./7th/25	MATERIAL	WEIGHT	SCALE	REV
FOR INFORMATION ONLY NOT FOR MANUFACTURING PURPOSES			N/A	4.77 g	4:1	A