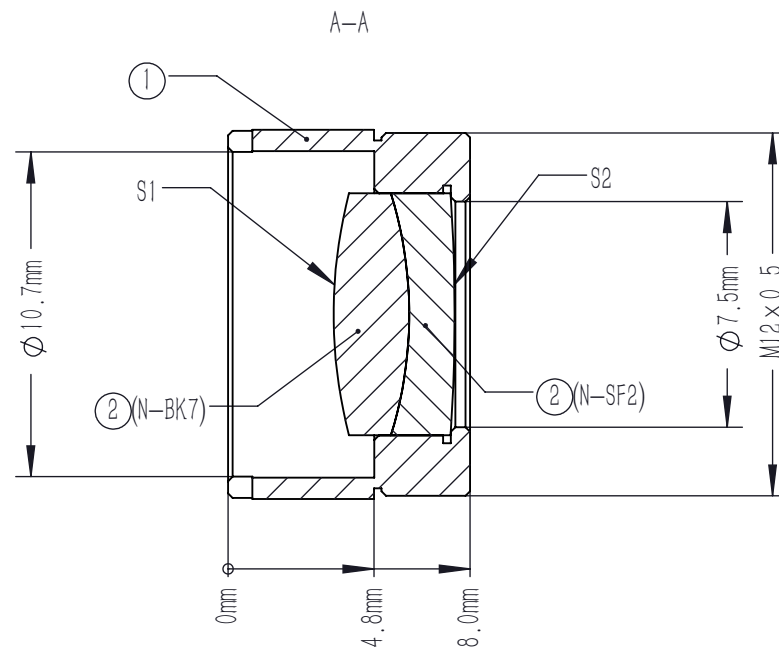
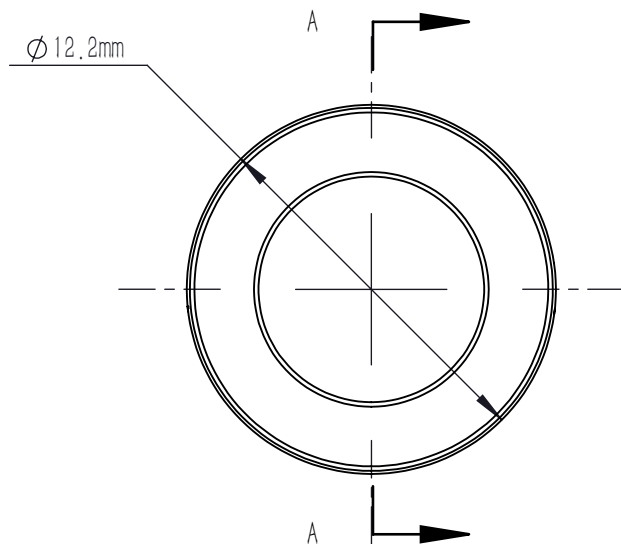


	PART DESCRIPTION	MATERIAL
①	LENS MOUNT	303 STAINLESS STEEL
②	AD205-A	N-BK7
		N-SF2



NOTES

1. MATERIAL: N-BK7/N-SF2
2. DESIGN WAVELENGTH: 486.1 nm, 587.6 nm, 656.3 nm
3. CLEAR APERTURE: $>90\%CA$
4. OPERATION WAVELENGTH: 400 nm-700 nm
5. DIAMETER TOLERANCE: $+0.0/-0.1\text{ mm}$
6. THICKNESS TOLERANCE: $\pm 0.2\text{ mm}$
7. FOCAL LENGTH: $30.0\text{ mm} \pm 1\% @ 587.6\text{ nm}$
8. BACK FOCAL LENGTH(REF): 27.8 mm
9. SURFACE QUALITY (S/D) (S1,S2) : 40/20
10. SURFACE POWER (S1,S2) : $3\lambda/2 @ 632.8\text{ nm}$
11. SURFACE IRREGULARITY(S1,S2): $\lambda/4 @ 632.8\text{ nm}$
12. CENTRATION: $<3\text{ arcmin}$
13. CHAMFER: $<0.2\text{ mm}, 45^\circ$
14. AR COATING (S1,S2) : $R_{avg} < 0.5\% @ 400\text{ nm}-700\text{ nm}$ (6° AOI , single)

DRAWING PROJECTION			LBTEK			
			MAD205-A			
DRAWN	SHAN	MAY./7th/25	ACHROMATIC DOUBLETS			
APPROVAL	WCHENG	MAY./7th/25	MATERIAL	WEIGHT	SCALE	REV
FOR INFORMATION ONLY NOT FOR MANUFACTURING PURPOSES			N/A	2.72 g	4:1	A