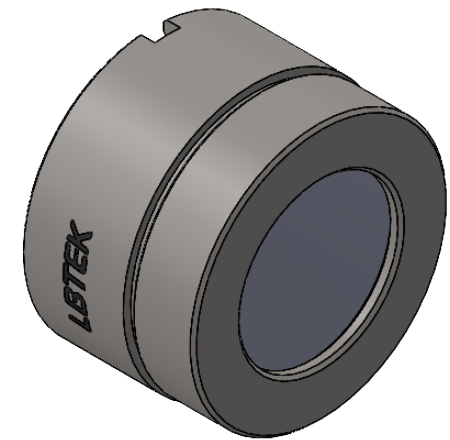
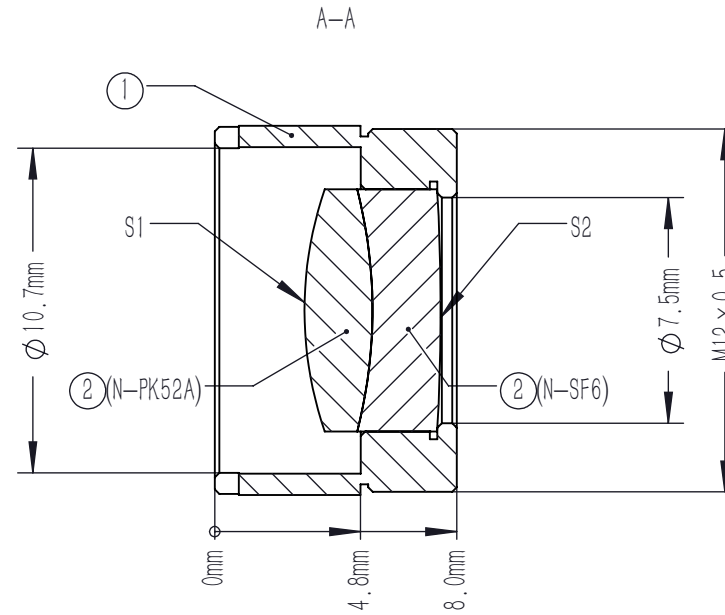
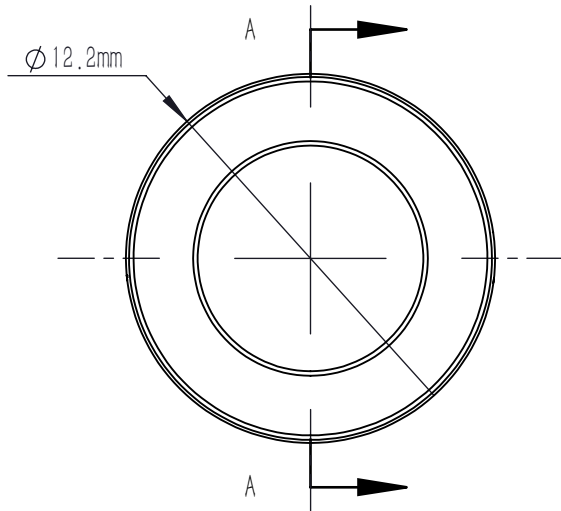


	PART DESCRIPTION	MATERIAL
①	LENS MOUNT	303 STAINLESS STEEL
②	AD205-C	N-PK52A
		N-SF6



NOTES

1. MATERIAL: N-PK52A/N-SF6
2. DESIGN WAVELENGTH: 1016 nm, 1330 nm, 1550 nm
3. CLEAR APERTURE: >90%CA
4. OPERATION WAVELENGTH: 1100 nm-1650 nm
5. DIAMETER TOLERANCE: +0.0/-0.1 mm
6. THICKNESS TOLERANCE: ±0.2 mm
7. FOCAL LENGTH: 30.0 mm ±1%@1330 nm
8. BACK FOCAL LENGTH(REF): 27.3 mm
9. SURFACE QUALITY (S/D) (S1,S2) : 40/20
10. SURFACE POWER (S1,S2) : $3\lambda/2@632.8$ nm
11. SURFACE IRREGULARITY(S1,S2): $\lambda/4@632.8$ nm
12. CENTRATION: <3 arcmin
13. CHAMFER: <0.2 mm, 45°
14. AR COATING (S1,S2) : $R_{avg}<0.5\%@1100$ nm-1650 nm (6° AOI, single)

DRAWING PROJECTION				LBTEK			
				MAD205-C			
	NAME	DATE	ACHROMATIC DOUBLETS				
DRAWN	SHAN	MAY./7th/25	MATERIAL	WEIGHT	SCALE	REV	
APPROVAL	WCHENG	MAY./7th/25	N/A	2.75 g	4:1	A	
FOR INFORMATION ONLY NOT FOR MANUFACTURING PURPOSES							