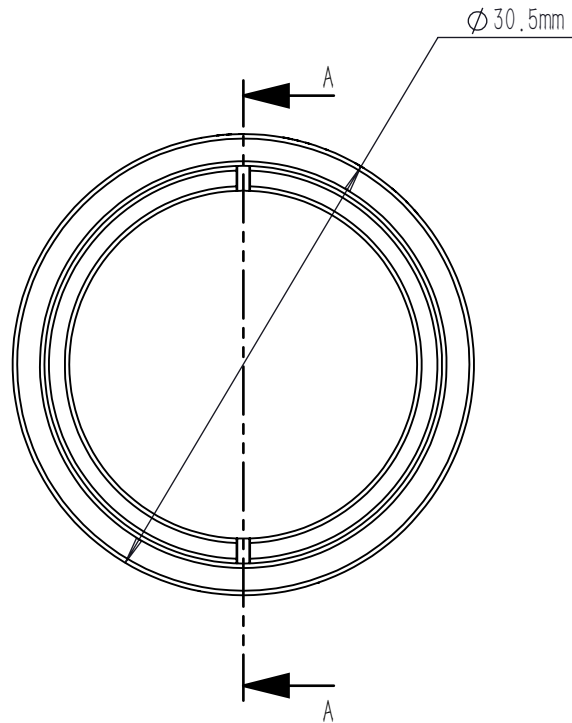


剖面 A-A



NOTES:

1. DESIGN WAVELENGTH: 488 nm, 707 nm&1064 nm
2. CLEAR APERTURE: >90 %CA
3. OPERATION WAVELENGTH: 400 nm-1100 nm
4. DIAMETER TOLERANCE: +0.0/-0.1 mm
5. THICKNESS TOLERANCE: ±0.1 mm
6. FOCAL LENGTH: 200.0 mm±1 %@707 nm
7. BACK FOCAL LENGTH: 194.2 mm
8. SURFACE QUALITY (S/D) (S1,S2) : 60/40
9. SURFACE POWER (S1,S2) :  $3\lambda/2@632.8\text{ nm}$
10. SURFACE IRREGULARITY (S1,S2) :  $\lambda/4@632.8\text{ nm}$
11. CENTRATION: <3 arcmin
12. CHAMFER: <0.2 mm, 45°
13. AR COATING (S1,S2) :  $R_{avg}<1\%@400\text{ nm}-1100\text{ nm}$ , 0° AOI

	PART DESCRIPTION	MATERIAL
①	SM1-12.5A	ANODIZED ALUMINIUM
②	AD418-AB	N-LAK22
		N-SF10
③	SM1R	ANODIZED ALUMINIUM

DRAWING PROJECTION			<b>LBTEK</b>			
	NAME	DATE	MAD418-AB			
DRAWN	SHAN	JUL./30th/24	ACHROMATIC DOUBLETS			
APPROVAL	WCHENG	JUL./30th/24	MATERIAL	WEIGHT	SCALE	REV
FOR INFORMATION ONLY NOT FOR MANUFACTURING PURPOSES			N/A	21.24 g	2:1	A