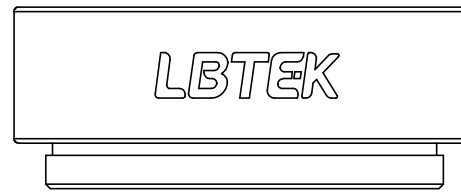
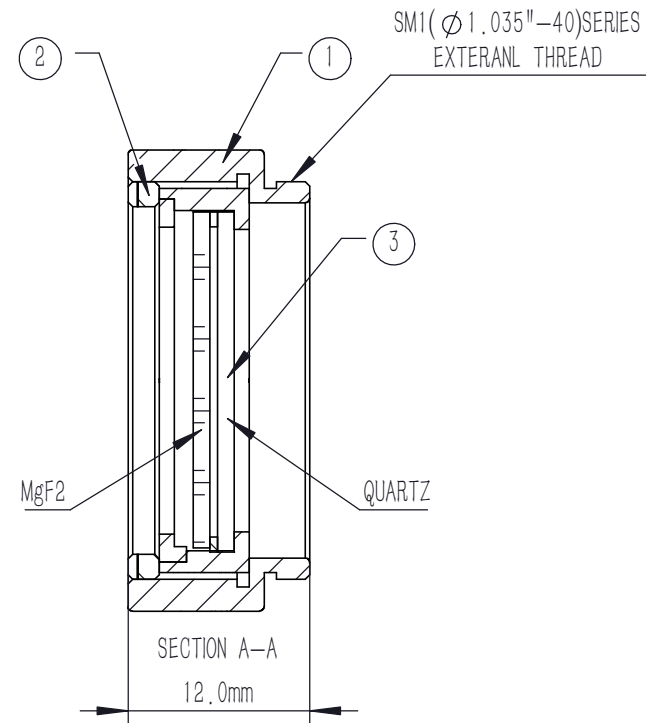
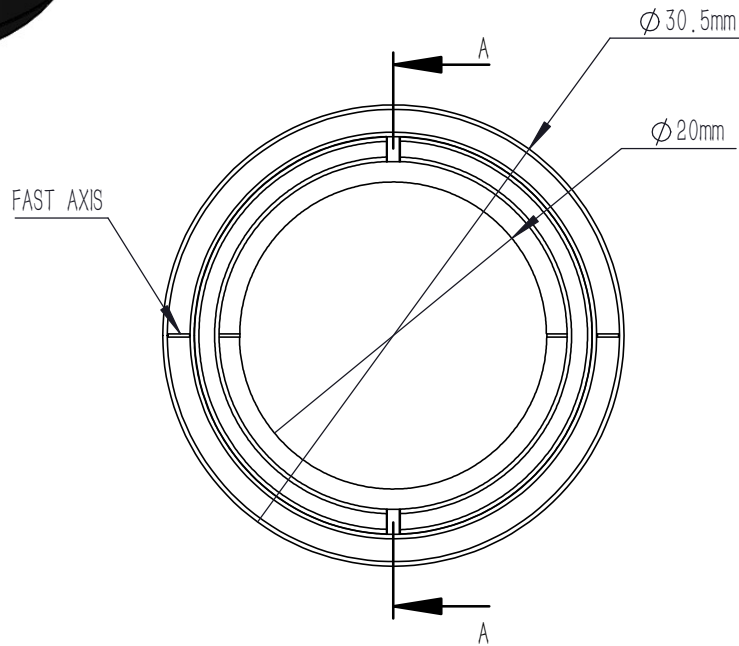


BACK VIEW



FRONT VIEW

NUMBER	PART DESCRIPTION	MATERIAL
①	MECHANICAL HOUSING	BLACK ANODIZED ALUMINUM
②	SMIR	BLACK ANODIZED ALUMINUM
③	WAVEPLATE	AHWP20-LNIR



NOTES

- DESIGN WAVELENGTH: 1100 nm-1650 nm
- CLEAR APERTURE: $\phi 20$ mm
- DELAY: $\lambda/2$
- DELAY TOLERANCE: $\pm \lambda/100@1100$ nm-1650 nm
- WAVEFRONT ERROR(RMS): $\lambda/8 @632.8$ nm
- AR COATING: $R_{avg} < 0.5\% @1100$ nm-1650 nm
- CHAMFER: $45^\circ, < 0.2$ mm
- SURFACE QUALITY (QUARTZ) : 40/20 (S/D)
(MgF2) : 80/50 (S/D)
- PARALLELISM(S1, S2, S3, S4): < 10 arcsec

DRAWING PROJECTION				LBTEK			
	NAME	DATE	MAHWP20-LNIR				
DRAWN	LZHOU	AUG./6th/24	ACHROMATIC QUARTZ ZERO-ORDER WAVEPLATE SM1 LENS TUBE, 20 mm CA, $\lambda/2@1100$ nm-1650 nm				
APPROVAL	WCHENG	AUG./6th/24	MATERIAL	WEIGHT	SCALE	REV	
FOR INFORMATION ONLY NOT FOR MANUFACTURING PURPOSES			QUARTZ & MgF2	12 g	2:1	A	