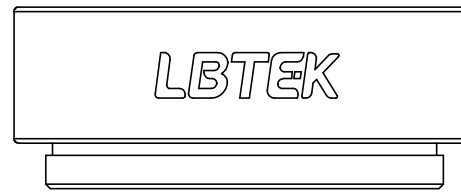


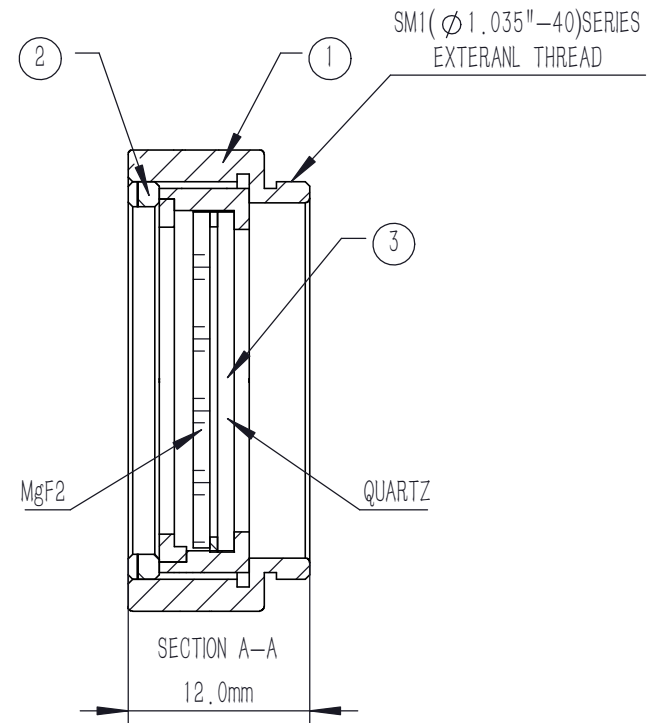
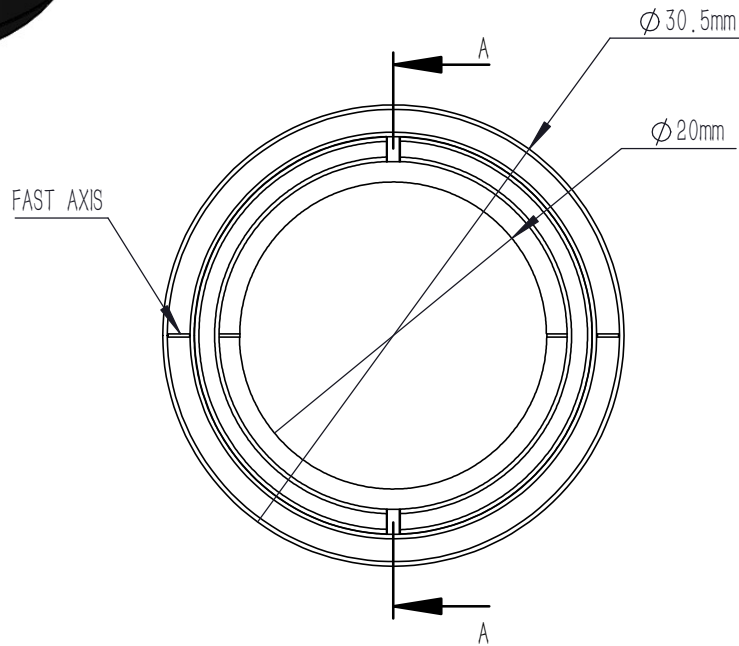


BACK VIEW



FRONT VIEW

NUMBER	PART DESCRIPTION	MATERIAL
①	MECHANICAL HOUSING	BLACK ANODIZED ALUMINUM
②	SMIR	BLACK ANODIZED ALUMINUM
③	WAVEPLATE	AHWP20-SNIR



NOTES

1. DESIGN WAVELENGTH: 700 nm-1100 nm
2. CLEAR APERTURE:  $\phi 20$  mm
3. DELAY:  $\lambda / 2$
4. DELAY TOLERANCE:  $\pm \lambda / 50 @ 700 \text{ nm} - 1100 \text{ nm}$
5. WAVEFRONT ERROR(RMS):  $\lambda / 8 @ 632.8 \text{ nm}$
6. AR COATING:  $R_{\text{avg}} < 0.5\% @ 700 \text{ nm} - 1100 \text{ nm}$
7. CHAMFER:  $45^\circ$ ,  $< 0.2 \text{ mm}$
8. SURFACE QUALITY (QUARTZ) : 40/20 (S/D)  
(MgF2) : 80/50 (S/D)
9. PARALLELISM(S1, S2, S3, S4):  $< 10 \text{ arcsec}$

DRAWING PROJECTION			<b>LBTEK</b>			
	NAME	DATE	MAHWP20-SNIR			
DRAWN	LZHOU	AUG./6th/24	ACHROMATIC QUARTZ ZERO-ORDER WAVEPLATE SM1 LENS TUBE, 20 mm CA, $\lambda / 2 @ 700 \text{ nm} - 1100 \text{ nm}$			
APPROVAL	WCHENG	AUG./6th/24	MATERIAL	WEIGHT	SCALE	REV
FOR INFORMATION ONLY NOT FOR MANUFACTURING PURPOSES			QUARTZ & MgF2	11.9 g	2:1	A