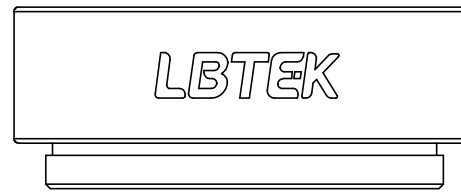


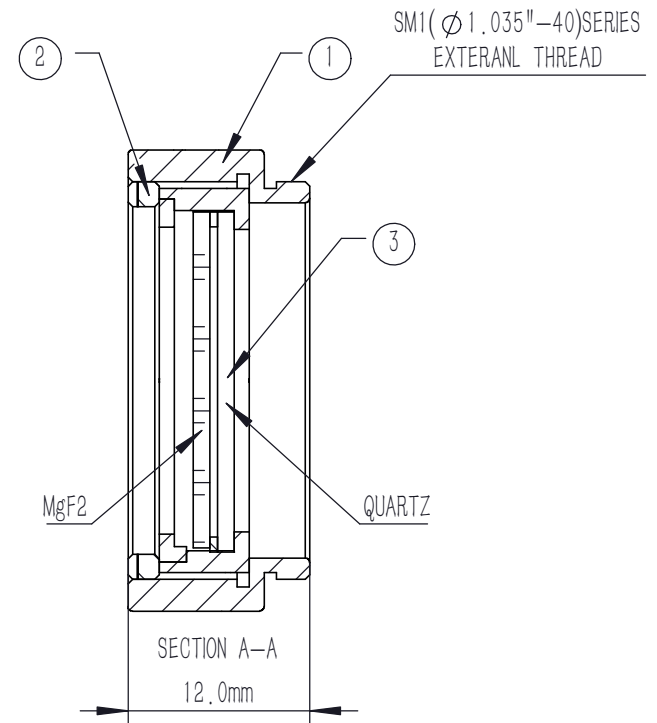
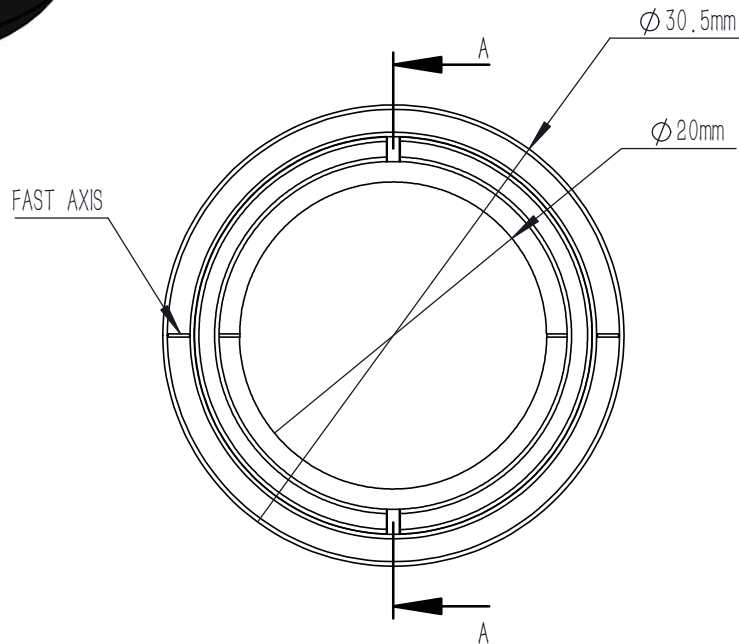


BACK VIEW



FRONT VIEW

NUMBER	PART DESCRIPTION	MATERIAL
①	MECHANICAL HOUSING	BLACK ANODIZED ALUMINUM
②	SMIR	BLACK ANODIZED ALUMINUM
③	WAVEPLATE	AQWP20-VIS



NOTES

- DESIGN WAVELENGTH: 400 nm-700 nm
- CLEAR APERTURE:  $\varnothing 20$  mm
- DELAY:  $\lambda / 4$
- DELAY TOLERANCE:  $\pm \lambda / 24 @ 400$  nm-700 nm
- WAVEFRONT ERROR(RMS):  $\lambda / 8 @ 632.8$  nm
- AR COATING:  $R_{avg} < 0.5\% @ 400$  nm-700 nm
- CHAMFER:  $45^\circ$ ,  $< 0.2$  mm
- SURFACE QUALITY (QUARTZ) : 40/20 (S/D)  
(MgF2) : 80/50 (S/D)
- PARALLELISM(S1, S2, S3, S4):  $< 10$  arcsec

DRAWING PROJECTION				<b>LBTEK</b>			
	NAME	DATE	MAQWP20-VIS				
DRAWN	LZHOU	AUG./6th/24	ACHROMATIC QUARTZ ZERO-ORDER WAVEPLATE SMI LENS TUBE, 20 mm CA, $\lambda / 4 @ 400$ nm-700 nm				
APPROVAL	WCHENG	AUG./6th/24	MATERIAL	WEIGHT	SCALE	REV	
FOR INFORMATION ONLY NOT FOR MANUFACTURING PURPOSES			QUARTZ & MgF2	9.2 g	2:1	A	