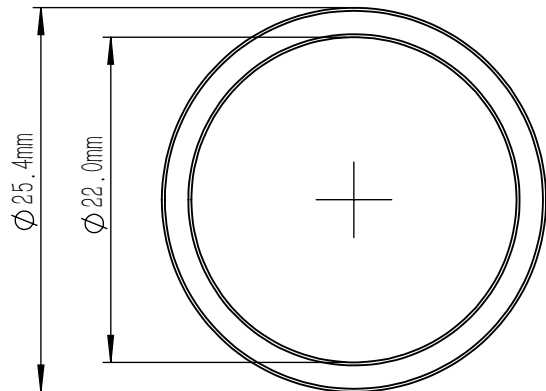


**LBTEK**



NOTES

1. MATERIAL: Schott Borofloat & Soda Lime
2. CWL: 532 nm ±2 nm
3. FWHM: 10 nm ±2 nm
4. TRANSMISSION: >70%
5. STOP BAND: >OD4@200-1200 nm
6. BEST OPERATING TEMPERATURE: 23°C
7. SNAP RING PROCESSING: BLACK ANODIZED
8. OPERATING TEMPERATURE: -50°C ~+80°C
9. SURFACE QUALITY(S/D): 80/50

|  |        |              |   |        |       |     |
|--|--------|--------------|---|--------|-------|-----|
| DRAWING PROJECTION                                     |        | <b>LBTEK</b> |   |        |       |     |
|  | NAME   | DATE         | MBF10-532-10  |        |       |     |
| DRAWN  | LZHOU  | JUL./30th/24 | LASER LINE FILTER<br>CWL: 532 nm ±2 nm, FWHM: 10 nm ±2 nm |        |       |     |
| APPROVAL   | WCHENG | JUL./30th/24 | MATERIAL  | WEIGHT | SCALE | REV |
| FOR INFORMATION ONLY<br>NOT FOR MANUFACTURING PURPOSES |        |              | Schott Borofloat<br>& Soda Lime                           | 7 g    | 2:1   | B   |