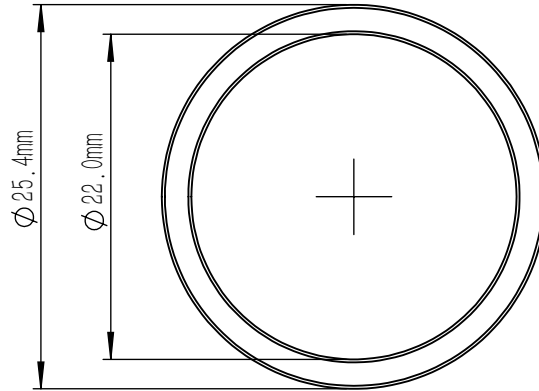


**LBTEK**



NOTES

1. MATERIAL: Schott Borofloat & Soda Lime
2. CWL: 940 nm  $\pm 2$  nm
3. FWHM: 10 nm  $\pm 2$  nm
4. TRANSMISSION:  $>90\%$
5. STOP BAND:  $>OD4@200-1100$  nm
6. BEST OPERATING TEMPERATURE: 23°C
7. SNAP RING PROCESSING: BLACK ANODIZED
8. OPERATING TEMPERATURE:  $-50^{\circ}\text{C} \sim +80^{\circ}\text{C}$
9. SURFACE QUALITY(S/D): 80/50

|                                                        |        |             |                                                                   |        |       |     |
|--------------------------------------------------------|--------|-------------|-------------------------------------------------------------------|--------|-------|-----|
| DRAWING PROJECTION                                     |        |             | <b>LBTEK</b>                                                      |        |       |     |
|                                                        | NAME   | DATE        | MBF10-940-10                                                      |        |       |     |
| DRAWN                                                  | LTAN   | Nov./5th/25 | BANDPASS FILTER<br>CWL: 940 nm $\pm 2$ nm, FWHM: 10 nm $\pm 2$ nm |        |       |     |
| APPROVAL                                               | WCHENG | Nov./5th/25 | MATERIAL                                                          | WEIGHT | SCALE | REV |
| FOR INFORMATION ONLY<br>NOT FOR MANUFACTURING PURPOSES |        |             | Schott Borofloat &<br>Soda Lime                                   | 7 g    | 2:1   | C   |