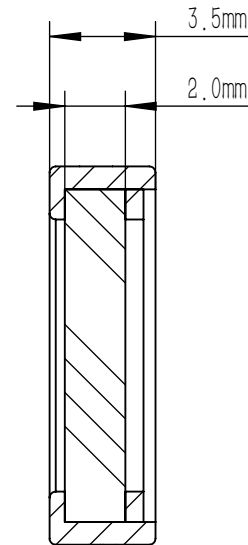
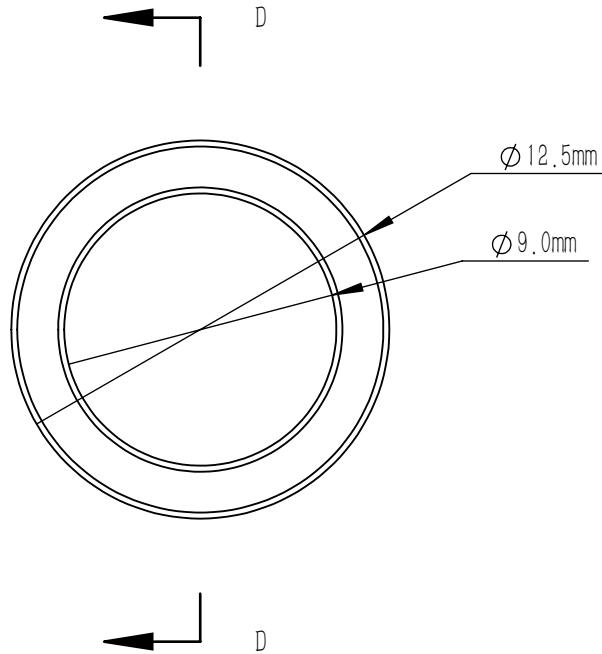


MBP12-375-10 ↓



D-D
4 : 1



LBTEK

NOTES

1. MATERIAL: UVFS
2. CLEAR APERTURE: $\phi 9.0$ mm
3. CENTER APERTURE: $375 \text{ nm} \pm 2 \text{ nm}$
4. FWHM: $10 \text{ nm} \pm 1.5 \text{ nm}$
5. SURFACE FLATNES: $\text{RMS} \leq \lambda / 4 @ 633 \text{ nm}$
6. SURFACE QUALITY(S1, S2): 60/40(S/D)
7. COATING(S1): BANDPASS FILTER, 0° AOI
 $T_{\text{abs}} > 85\% @ 375 \text{ nm};$
 $\text{OD}_{\text{abs}} > \text{OD}5 @ 200 \text{ nm} - 1200 \text{ nm};$
8. OPERATING TEMPERATURE: $-40^\circ \text{ C} \sim +90^\circ \text{ C}$

DRAWING PROJECTION			LBTEK			
	NAME	DATE				
DRAWN	JLIU	OCT./21st/25	BANDPASS FILTER $\phi 12.5 \text{ mm}, \text{CWL}=375 \text{ nm}, \text{FWHM}=10 \text{ nm}$			
APPROVAL	WCHENG	OCT./21st/25	MATERIAL	WEIGHT	SCALE	REV
FOR INFORMATION ONLY NOT FOR MANUFACTURING PURPOSES			UVFS	0.77 g	4:1	A