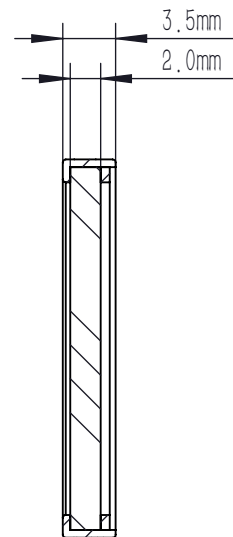
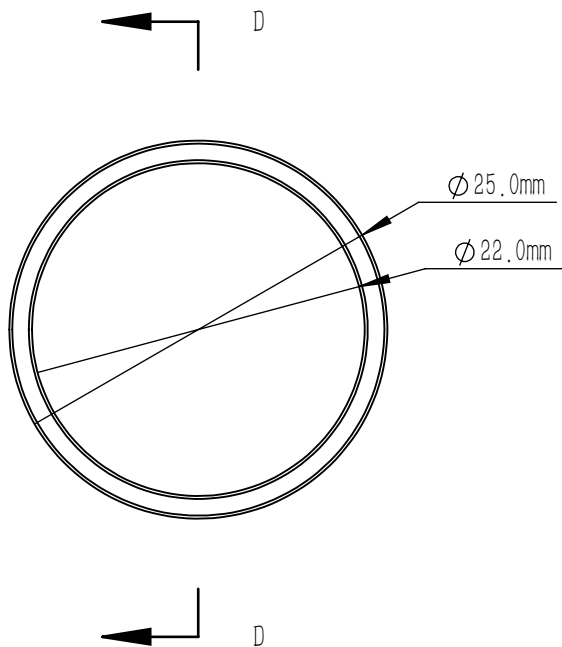
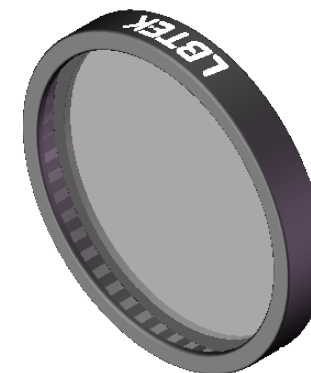


MBP25-660-10 ↓



D-D



LBTEK

NOTES

1. MATERIAL: UVFS
2. CLEAR APERTURE:  $\varnothing 22.0$  mm
3. CENTER APERTURE:  $660 \text{ nm} \pm 2 \text{ nm}$
4. FWHM:  $10 \text{ nm} \pm 1.5 \text{ nm}$
5. SURFACE FLATNES:  $\text{RMS} \leq \lambda / 4 @ 633 \text{ nm}$
6. SURFACE QUALITY(S1, S2): 60/40(S/D)
7. COATING(S1): BANDPASS FILTER,  $0^\circ$  AOI  
 Tabs  $> 90\% @ 660 \text{ nm}$ ;  
 ODabs  $> OD5 @ 200 \text{ nm} - 1200 \text{ nm}$ ;
8. OPERATING TEMPERATURE:  $-40^\circ \text{ C} \sim +90^\circ \text{ C}$

DRAWING PROJECTION			<b>LBTEK</b>			
	NAME	DATE	MBP25-660-10			
DRAWN	JLIU	OCT./21st/25	BANDPASS FILTER $\varnothing 25 \text{ mm}$ , CWL=660 nm, FWHM=10 nm			
APPROVAL	WCHENG	OCT./21st/25	MATERIAL	WEIGHT	SCALE	REV
FOR INFORMATION ONLY NOT FOR MANUFACTURING PURPOSES			UVFS	2.56 g	2:1	A