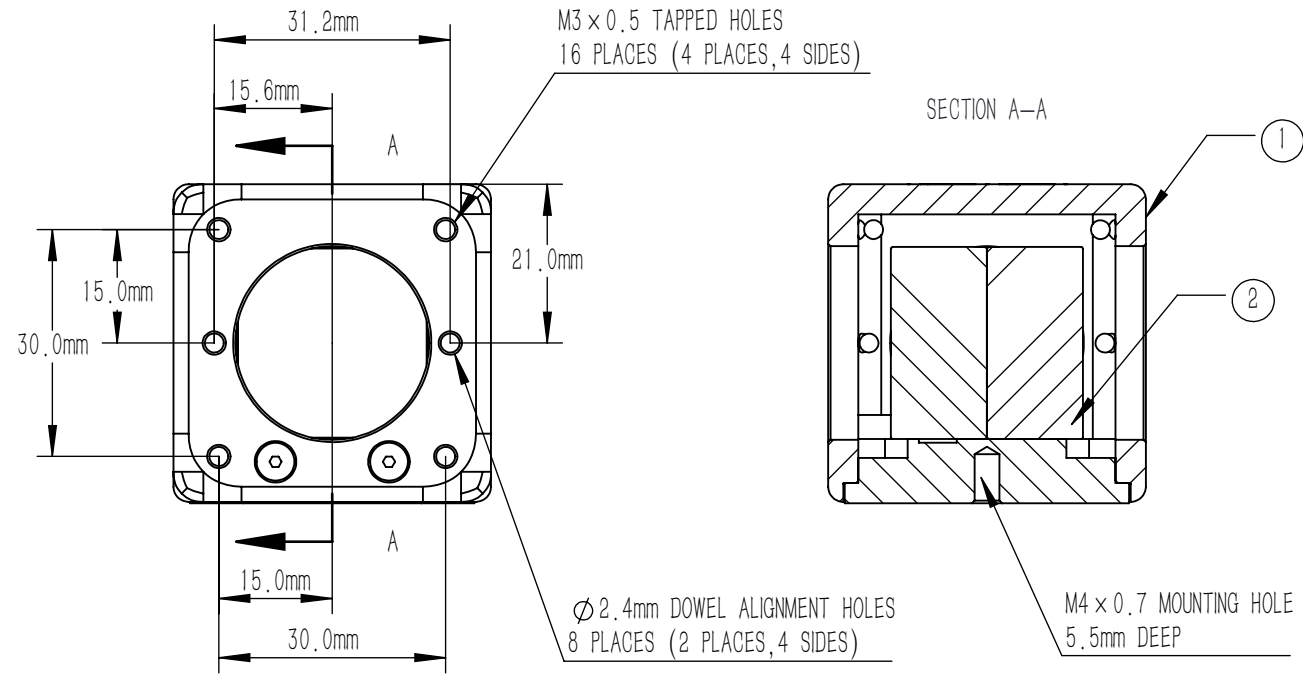
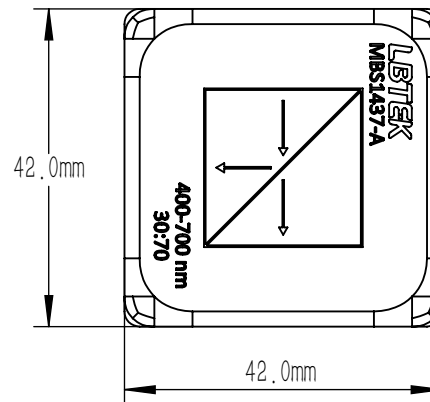


NUMBER	PART DESCRIPTION	MATERIAL
①	MECHANICAL HOUSING	BLACK ANODIZED ALUMINUM
②	BS1437-A	N-BK7



NOTES

- BS1437-A:
- CLEAR APERTURE: >80%CA
  - AR COATING(S1,S2,S3,S4):  $R_{avg} < 0.5\%$ @400 nm-700 nm (6° AOI, SINGLE SURFACE)
  - ANGLE TOLERANCE:  $\pm 1'$
  - COATING(S5):  
 $T_{abs} = (65 \pm 10)\%$ ,  $R_{abs} = (26 \pm 8)\%$ ,  $T_{abs} + R_{abs} > 80\%$   
 $|T_s - T_p| < 15\%$ ,  $|R_s - R_p| < 15\%$
  - GLUED(S5,S6): NOA61
  - SPLIT RATIO(R:T): 30:70
  - TRANSMITTED BEAM DEVIATION:  $0^\circ \pm 5$  arcmin
  - REFLECTED BEAM DEVIATION:  $90^\circ \pm 5$  arcmin
  - SURFACE QUALITY(S1,S2,S3,S4): 40/20(S/D)
  - WAVEFRONT ERROR(RMS):  $\lambda/4$ @633 nm
  - SURFACE FLATNESS(S1,S2,S3,S4):  $\lambda/10$ @633 nm
  - OTHER SURFACES: FINE GROUND
  - CHAMFER: 0.2 mm, 45°



DRAWING PROJECTION							
	NAME	DATE					
DRAWN	LZHOU	AUG./12th/24		BEAM SPLITTER L=25.4 mm, R:T=30:70@400 nm-700 nm			
APPROVAL	WCHENG	AUG./12th/24		MATERIAL	WEIGHT	SCALE	REV
FOR INFORMATION ONLY NOT FOR MANUFACTURING PURPOSES				N-BK7	129 g	1:1	B