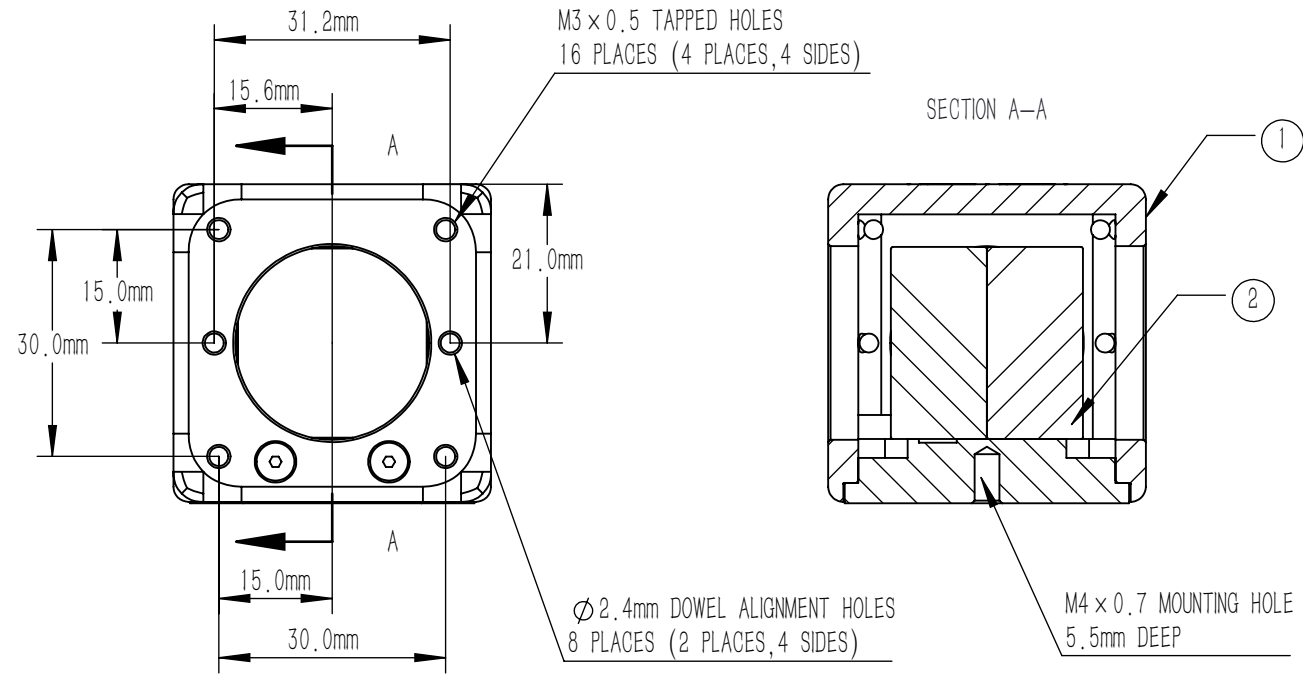
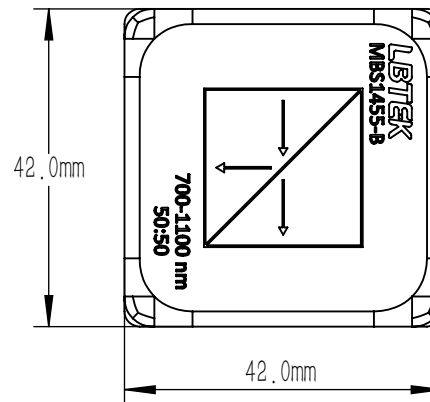


NUMBER	PART DESCRIPTION	MATERIAL
①	MECHANICAL HOUSING	BLACK ANODIZED ALUMINUM
②	BS1455-B	N-BK7



NOTES

- BS1455-B:
- CLEAR APERTURE: >80%CA
 - AR COATING(S1,S2,S3,S4): RAVG<0.5% @700 nm-1100 nm (6° AOI, SINGLE SURFACE)
 - DIAMETER TOLERANCE: +0.0/-0.2 mm
 - ANGLE TOLERANCE: ±1'
 - COATING(S5):
 $T_{abs}=(47 \pm 10)\%$, $R_{abs}=(47 \pm 10)\%$, $T_{abs}+R_{abs}>85\%$
 $|T_s-T_p| < 10\%$, $|R_s-R_p| < 10\%$
 - GLUED(S5,S6): NOA61
 - SPLIT RATIO(R:T): 50:50
 - TRANSMITTED BEAM DEVIATION: $0^\circ \pm 5$ arcmin
 - REFLECTED BEAM DEVIATION: $90^\circ \pm 5$ arcmin
 - SURFACE QUALITY(S1,S2,S3,S4): 40/20(S/D)
 - WAVEFRONT ERROR(RMS): $\lambda/4@633$ nm
 - SURFACE FLATNESS(S1,S2,S3,S4): $\lambda/10@633$ nm
 - OTHER SURFACES: FINE GROUND
 - CHAMFER: 0.2 mm, 45°



DRAWING PROJECTION		NAME		DATE		LBTEK			
		MBS1455-B							
		BEAM SPLITTER							
DRAWN	LZHOU	AUG./12th/24		L=25.4 mm, R:T=50:50@700 nm-1100 nm					
APPROVAL	WCHENG	AUG./12th/24		MATERIAL	WEIGHT	SCALE	REV		
FOR INFORMATION ONLY NOT FOR MANUFACTURING PURPOSES				N-BK7	129 g	1:1	B		