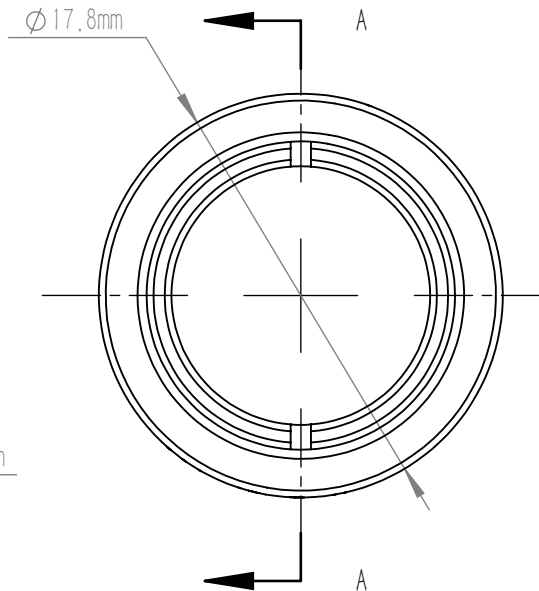
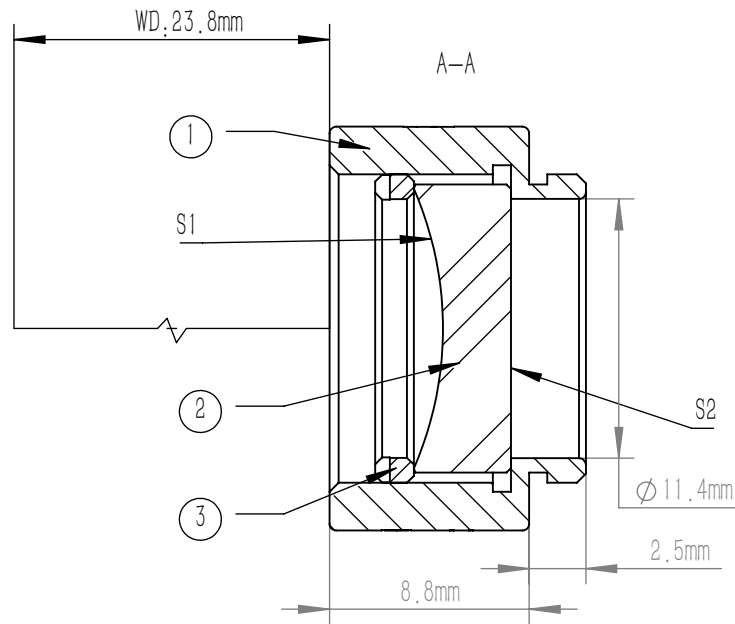


	PART DESCRIPTION	MATERIAL
①	SM05-8A	ANODIZED ALUMINIUM
②	CC10307-A	N-BK7
③	SM05R	ANODIZED ALUMINIUM



NOTES

1. DESIGN WAVELENGTH: 587.6 nm
2. OPERATION WAVELENGTH: 400 nm-700 nm
3. DIAMETER TOLERANCE: +0.0/-0.1 mm
4. THICKNESS TOLERANCE: ±0.1 mm
5. FOCAL LENGTH: -30.0 mm±1%
6. BACK FOCAL LENGTH(REF): -31.8 mm
7. CLEAR APERTURE: >90%CA
8. SURFACE QUALITY(S/D)(S1, S2): 40/20
9. SURFACE FLATNESS(S1):  $\lambda/2$  @ 632.8 nm
10. SURFACE POWER(S2):  $3\lambda/2$  @ 632.8 nm
11. SURFACE IRREGULARITY(S2):  $\lambda/4$  @ 632.8 nm
12. CENTRATION: <3 arcmin
13. CHAMFER: <0.2 mm, 45°
14. COATING(S1, S2): AR COATING  $R_{avg} < 0.5\%$  @ 400 nm-700 nm

DRAWING PROJECTION			<b>LBTEK</b>			
		NAME	DATE	MCC10307-A		
DRAWN	BSHU	Aug./19th/24	$\phi$ 12.7 mm, f=-30.0 mm PLANO CONCAVE LENS AR COATING 400-700 nm			
APPROVAL	WCHENG	Aug./19th/24	MATERIAL	WEIGHT	SCALE	REV
FOR INFORMATION ONLY NOT FOR MANUFACTURING PURPOSES			N-BK7	9.55 g	2:1	B