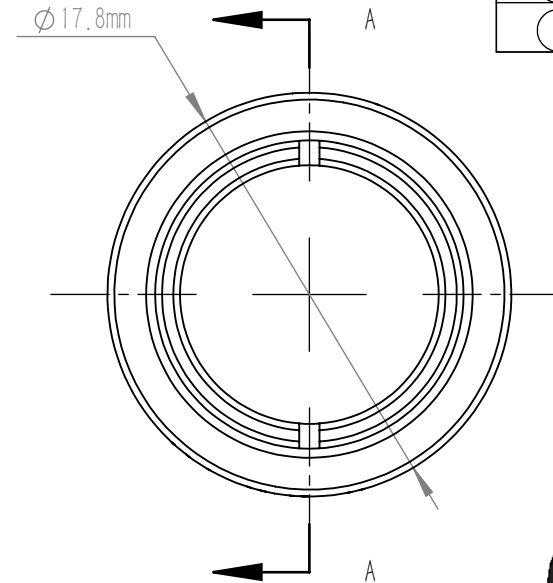
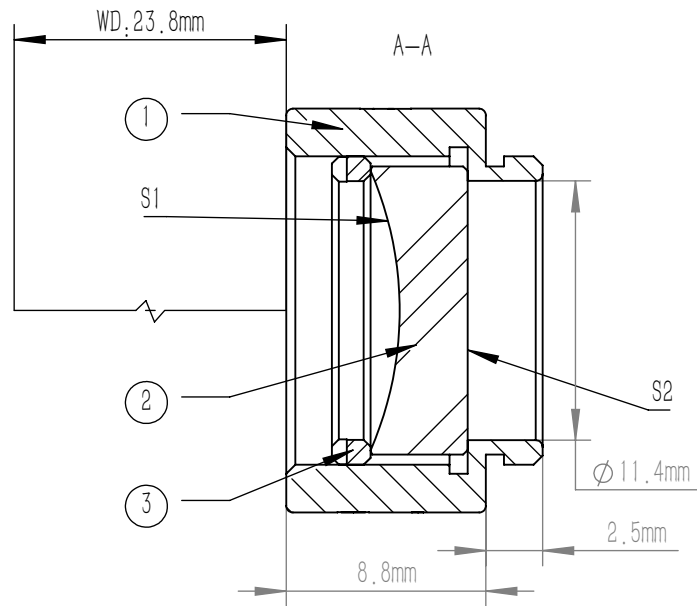


	PART DESCRIPTION	MATERIAL
①	SM05-8A	ANODIZED ALUMINIUM
②	CC10307-B	N-BK7
③	SM05R	ANODIZED ALUMINIUM



NOTES

- DESIGN WAVELENGTH: 587.6 nm
- OPERATION WAVELENGTH: 700 nm-1100 nm
- DIAMETER TOLERANCE: +0.0/-0.1 mm
- THICKNESS TOLERANCE: ±0.1 mm
- FOCAL LENGTH: -30.0 mm±1%
- BACK FOCAL LENGTH(REF): -31.8 mm
- CLEAR APERTURE: >90%CA
- SURFACE QUALITY(S/D)(S1,S2): 40/20
- SURFACE FLATNESS(S1): $\lambda/2$ @ 632.8 nm
- SURFACE POWER(S2): $3\lambda/2$ @ 632.8 nm
- SURFACE IRREGULARITY(S2): $\lambda/4$ @ 632.8 nm
- CENTRATION: <3 arcmin
- CHAMFER: <0.2 mm, 45°
- COATING(S1,S2): AR COATING Ravg <0.5% @ 700 nm-1100 nm

DRAWING PROJECTION			LBTEK			
	NAME	DATE	MCC10307-B			
DRAWN	BSHU	Aug./19th/24	ϕ 12.7 mm, f=-30.0 mm PLANO CONCAVE LENS AR COATING 700-1100 nm			
APPROVAL	WCHENG	Aug./19th/24	MATERIAL	WEIGHT	SCALE	REV
FOR INFORMATION ONLY NOT FOR MANUFACTURING PURPOSES			N-BK7	9.55 g	2:1	B