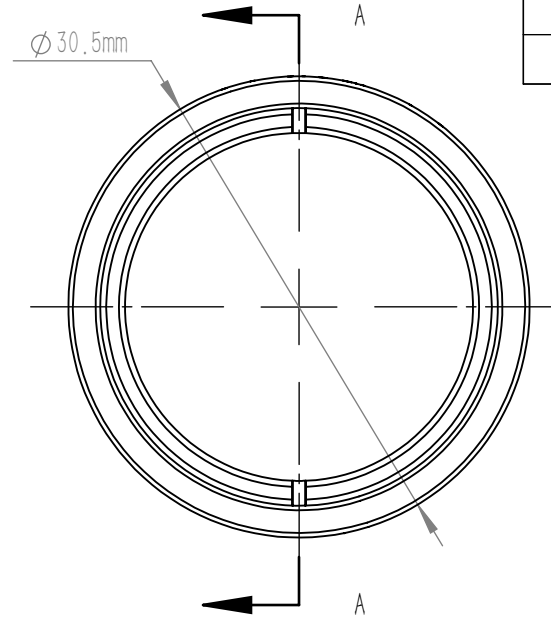
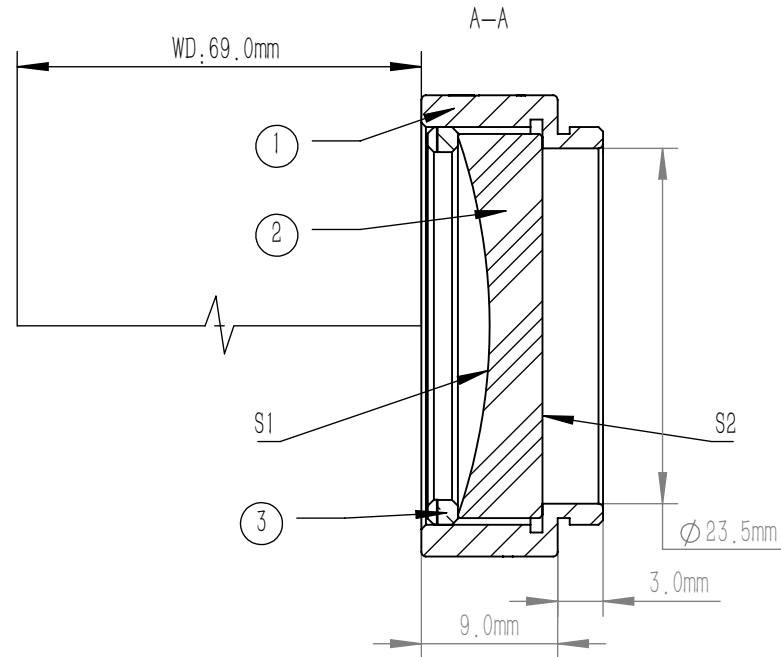


	PART DESCRIPTION	MATERIAL
①	SM1-8A	ANODIZED ALUMINIUM
②	CC10612-C	N-BK7
③	SM1R	ANODIZED ALUMINIUM



NOTES

1. DESIGN WAVELENGTH: 587.6 nm
2. OPERATION WAVELENGTH: 1100 nm-1650 nm
3. DIAMETER TOLERANCE: +0.0/-0.1 mm
4. THICKNESS TOLERANCE: ±0.1 mm
5. FOCAL LENGTH: -75.0 mm±1%
6. BACK FOCAL LENGTH(REF): -77.0 mm
7. CLEAR APERTURE: >90%CA
8. SURFACE QUALITY(S/D)(S1, S2): 40/20
9. SURFACE FLATNESS(S1):  $\lambda/2$  @ 632.8 nm
10. SURFACE POWER(S2):  $3 \lambda/2$  @ 632.8 nm
11. SURFACE IRREGULARITY(S2):  $\lambda/4$  @ 632.8 nm
12. CENTRATION: <3 arcmin
13. CHAMFER: <0.2 mm, 45°
14. COATING(S1, S2): AR COATING  $R_{avg} < 0.5\%$  @ 1100 nm-1650 nm

DRAWING PROJECTION			<b>LBTEK</b>			
	NAME	DATE	MCC10612-C			
DRAWN	BSHU	Aug. /19th/24	$\phi$ 25.4 mm, f=-75.0 mm PLANO CONCAVE LENS AR COATING 1100-1650 nm			
APPROVAL	WCHENG	Aug. /19th/24	MATERIAL	WEIGHT	SCALE	REV
FOR INFORMATION ONLY NOT FOR MANUFACTURING PURPOSES			N-BK7	23.40g	2:1	B