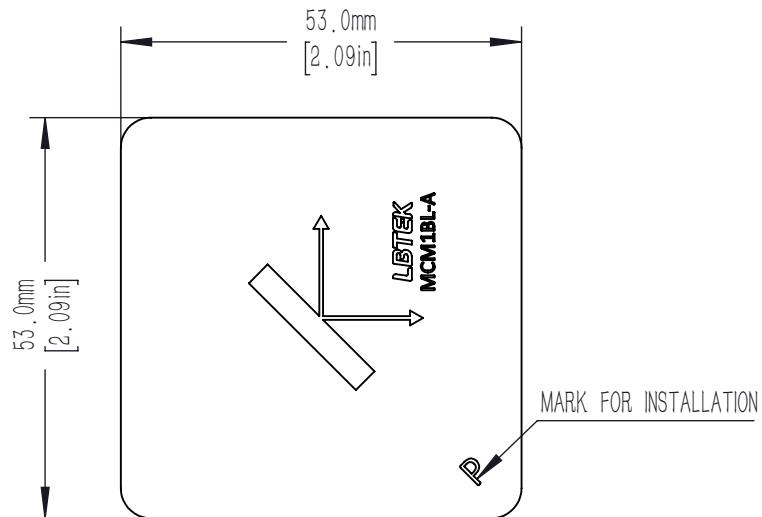
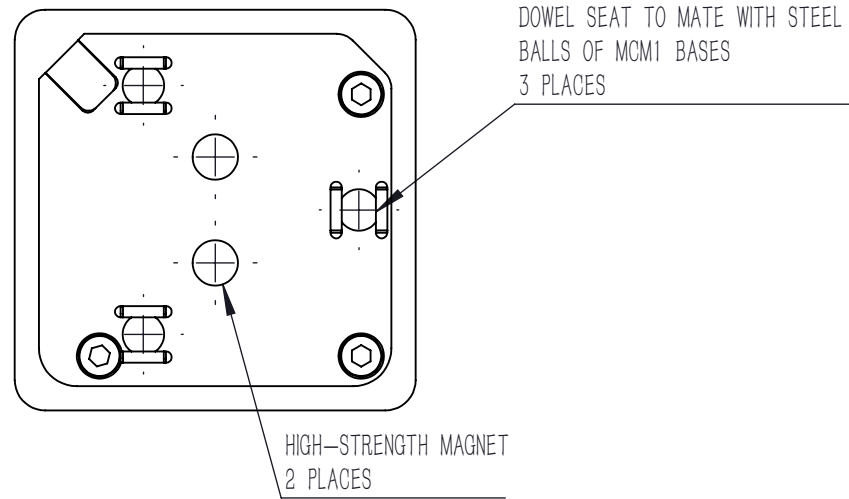


VIEW A



DRAWING PROJECTION			LBTEK			
	NAME	DATE				
DRAWN	CZH	SEPT./13th/22	30mm MAGNETIC QUICK DISMANTLING CUBE			
APPROVAL	ZXU	SEPT./13th/22	MATERIAL	WEIGHT	SCALE	REV
FOR INFORMATION ONLY NOT FOR MANUFACTURING PURPOSES			N/A	0.134 Kg	1:1	B